

GT Bunning Lowlander Modell MK 4

årsmodell: 2016-

Stallgödselspridare 9– 18,5 kbm

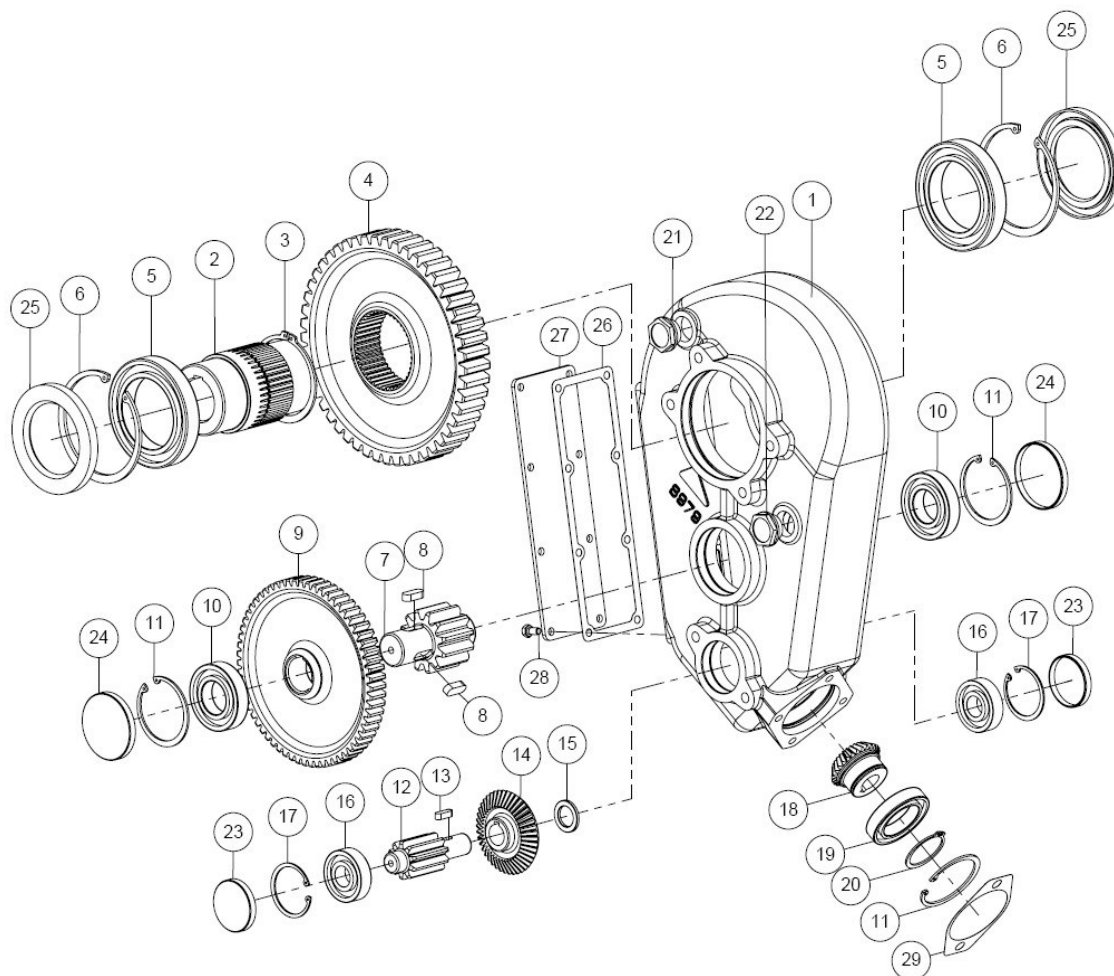


Reservdelskatalog

Rätt till konstruktions- och manualändringar förbehålles



3.4 VÄXELLÅDA BOTTENMATTANS DRIVNING ST 90-165 (MK4 75-120) – art.nr. B3105



Notera:

Motorn visar inte art.nr. **B3040**

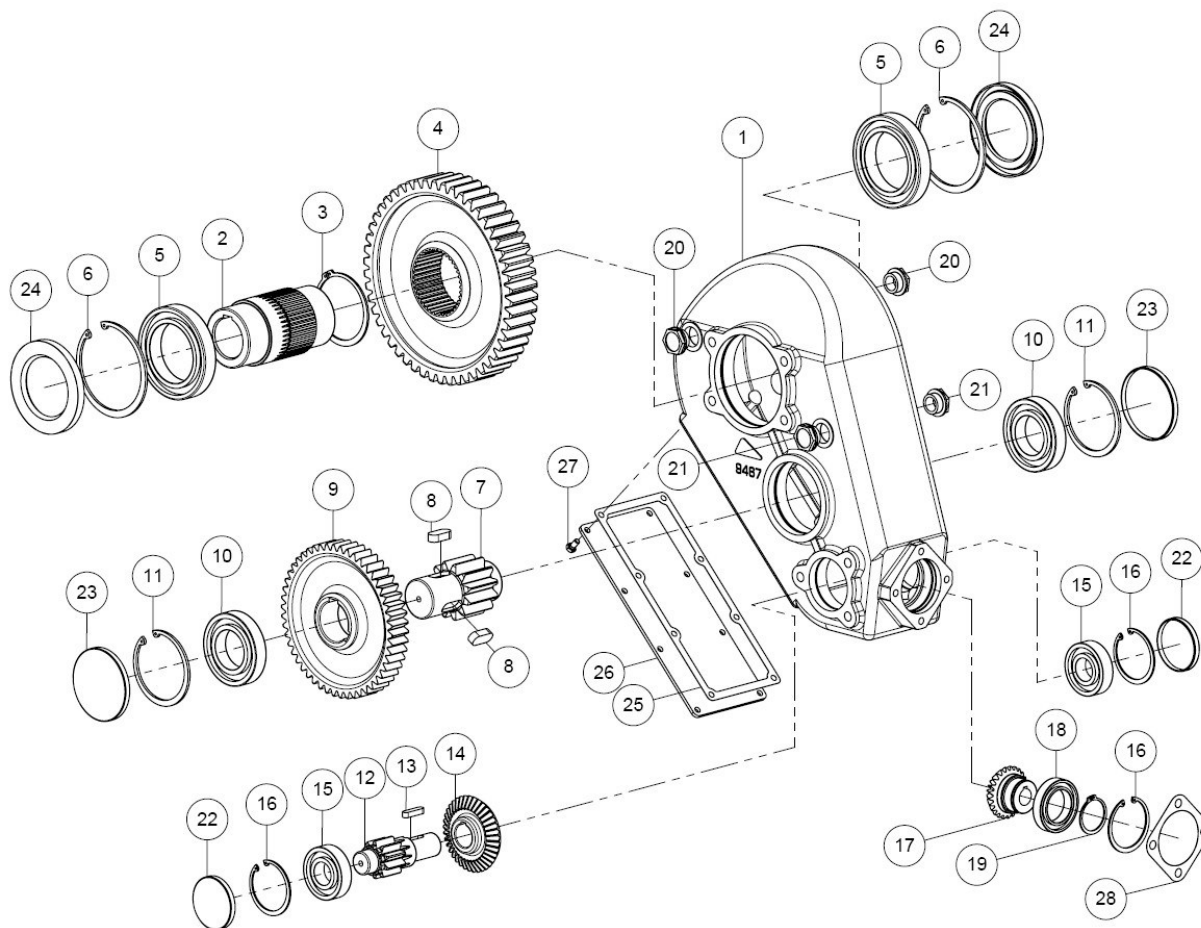
Till en 2-stegsspridare eller med 20mm kedja till bottenmattan används växellåda med art.nr B 3106.

Var uppmärksam på position 2 i bilden och i tabellen, två olika art. Nr.

3.4 VÄXELLÅDA BOTTENMATTANS DRIVNING ST 90-165 (MK4 75-120) – art.nr. B3105

<u>KEY</u>	<u>QTY</u>	<u>PART No.</u>	<u>DESCRIPTION</u>
1	1	B3203	CASING
2	1	B3228	SLEEVE M50
2	1	B3229	SLEEVE M60 (W.B BEATERS &)
3	1	B4099	CIRCLIP
4	1	B3231	GEAR
5	2	BR320	BEARING
6	2	B4015	CIRCLIP
7	1	B3237	PINION SHAFT
8	2	B2271	KEY
9	1	B3234	GEAR
10	2	BR350	BEARING
11	3	B4006	CIRCLIP
12	1	B3232	PINION SHAFT
13	1	B2270K	KEY
14	1	B3238	CROWN BEVEL
15	1	B3478	SPACER
16	2	BR375	BEARING
17	2	B4002	CIRCLIP
18	1	B3233	PINION SHAFT
19	1	BR310	BEARING
20	1	B4019	CIRCLIP
21	2	B3997	BREATHER PLUG
22	2	B3995	SIGHT GUAGE
23	2	SL255	CAP SEAL
24	2	SL265	CAP SEAL
25	2	SL200	SEAL
26	1	B3222	GASKET
27	1	B3218	COVER PLATE
28	8	73030/1	BOLT
29	1	B3226	GASKET

3.5 VÄXELLÅDA BOTTENMATTANS DRIVNING ST 185 (MK4 150) – art.nr. B3122



Notera:

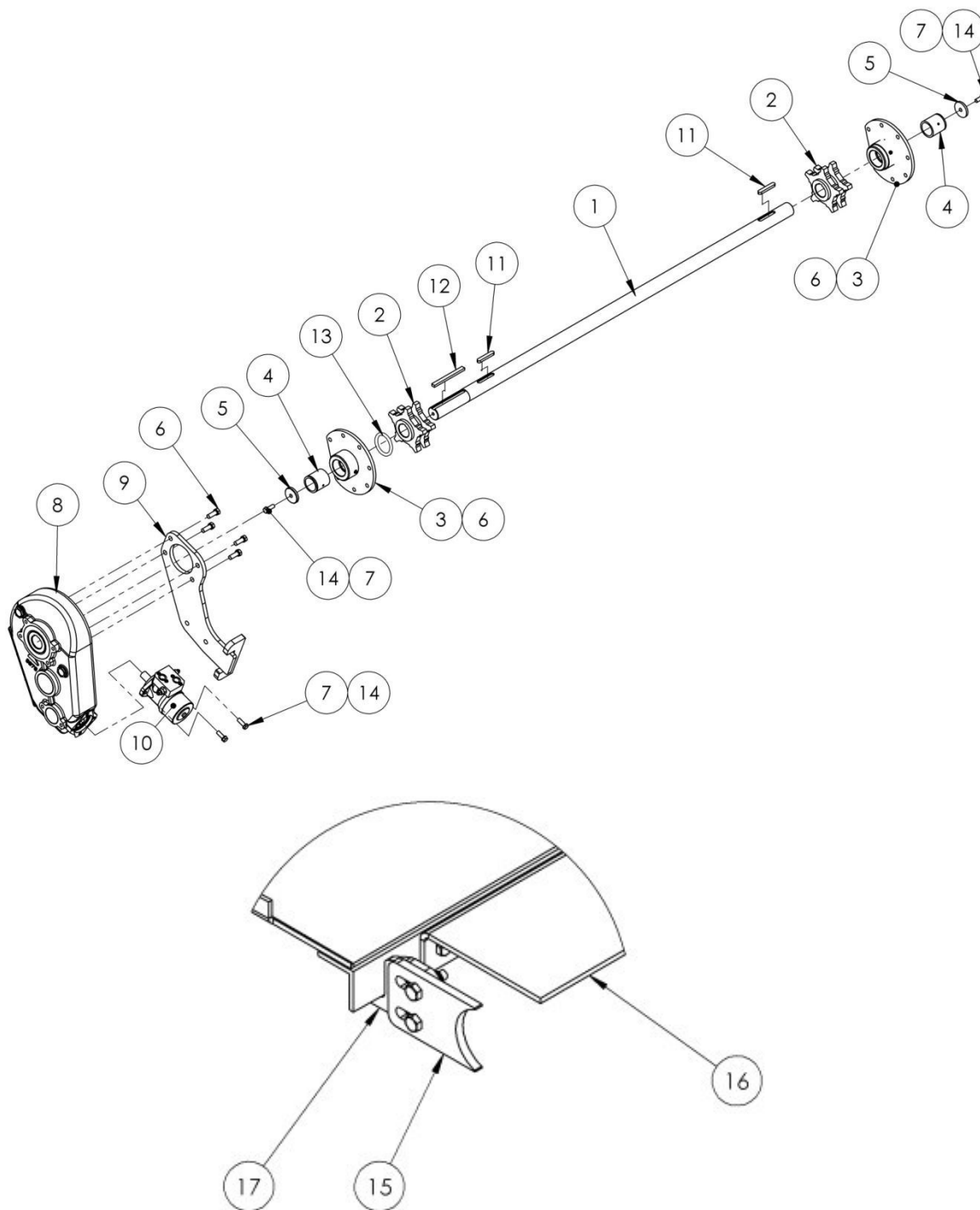
Motorn visar inte art.nr. **B3052**

3.5 VÄXELLÅDA BOTTENMATTANS DRIVNING ST 185 (MK4 150) – art.nr. B3122

<u>KEY</u>	<u>QTY</u>	<u>PART No.</u>	<u>DESCRIPTION</u>
1	1	B3204	CASING
2	1	B3230	SLEEVE
3	1	B4030	CIRCLIP
4	1	B3236	GEAR
5	2	BR325	BEARING
6	2	B4016	CIRCLIP
7	1	B3240	PINION
8	2	B2276	KEY
9	1	B3244	GEAR
10	2	BR365	BEARING
11	2	B4012	CIRCLIP
12	1	B3242	PINION
13	1	B2270L	KEY
14	1	B3248	CROWN GEAR
15	2	BR390	BEARING
16	3	B4006	CIRCLIP
17	1	B3252	PINION
18	1	BR310	BEARING
19	1	B4019	CIRCLIP
20	2	B3997	BREATHER BUNG
21	2	B3995	SIGHT GLASS
22	2	SL265	CAP SEAL
23	2	SL270	CAP SEAL
24	2	SL205	SEAL
25	1	B3224	GASKET
26	1	B3220	COVER PLATE
27	8	73030/1	BOLT
28	1	B3227	GASKET

NOTERA: 60 mm axel bak.

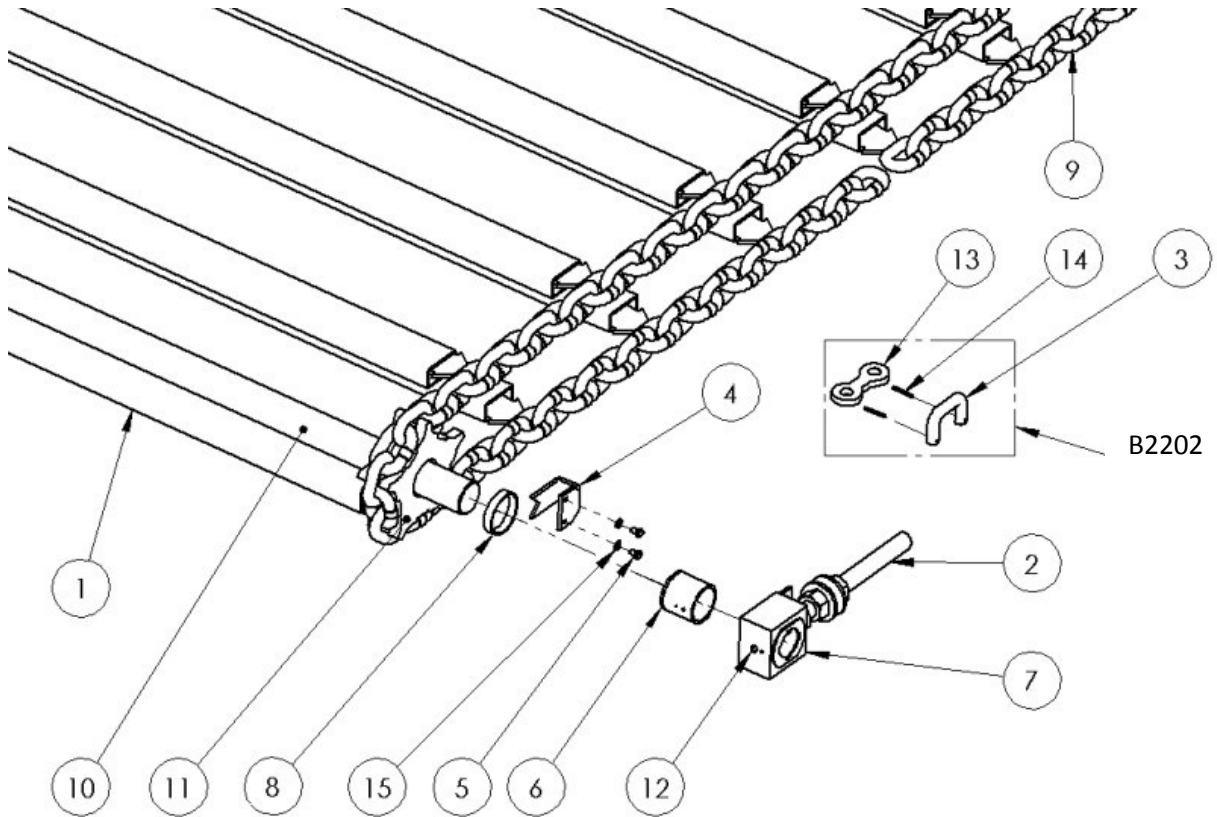
3.6 BOTTENMATTANS BAKRE AXEL OCH DRIVNING



3.6 BOTTENMATTANS BAKRE AXEL OCH DRIVNING

KEY	QTY	PART No.	DESCRIPTION
1	1	B2250	REAR SHAFT M50
	1	B2254	REAR SHAFT M60 MK4 150 ONLY
	1	B2256	REAR SHAFT M60 MK4 WITH BEATERS
	1	B2256A	REAR SHAFT M60 MK4 WITH BEATERS 800/60
2	2	B2100	GYPSY WHEEL M50 ST 90-165 (MK4 75-120)
	2	B2102	GYPSY WHEEL M60 MK4 WITH Liggande valsar & ST-185 (150)
3	2	B2300	BEARING FLANGE M50
	2	B2302	BEARING FLANGE M60
4	2	B2320	ACM BUSH M50
	2	B2322	ACM BUSH M60
5	2	B2280	END PLATE M60
6	4	73125	BOLT & WASHER M14
7	4	BOLT	M12 x 35
8	1	B3105	GEARBOX ST 90-165 (75/90/105/105C/120)
	1	B3106	GEARBOX WITH M60 REAR SHAFT
	1	B3122	GEARBOX ST 185 (150) ONLY
9	1	B3212	TORQUE PLATE ST 90-165 (75/90/105/105C/120)
	1	B3214	TORQUE PLATE ST 185 (150) ONLY
10	1	B3040	HYDRUALIC MOTOR
11	2	B2274	KEY FOR M50 SHAFT
	2	B2275	KEY FOR M60 SHAFT
12	1	B2277	KEY FOR M50 SHAFT
	1	B2278	KEY FOR M60 SHAFT
13	1	B2348	SPACER ST 185 (150) ONLY
14	4	WASHER	SPRING WASHER M12
15	2	B2122	REAR GYPSY SCRAPER
16	1	B2822	DRIVE SHAFT COVER MK4
17	2	B2124	MOUNT PLATE FOR SCRAPER

3.7 BOTTENMATTANS FRÄMRE AXEL OCH KEDJOR

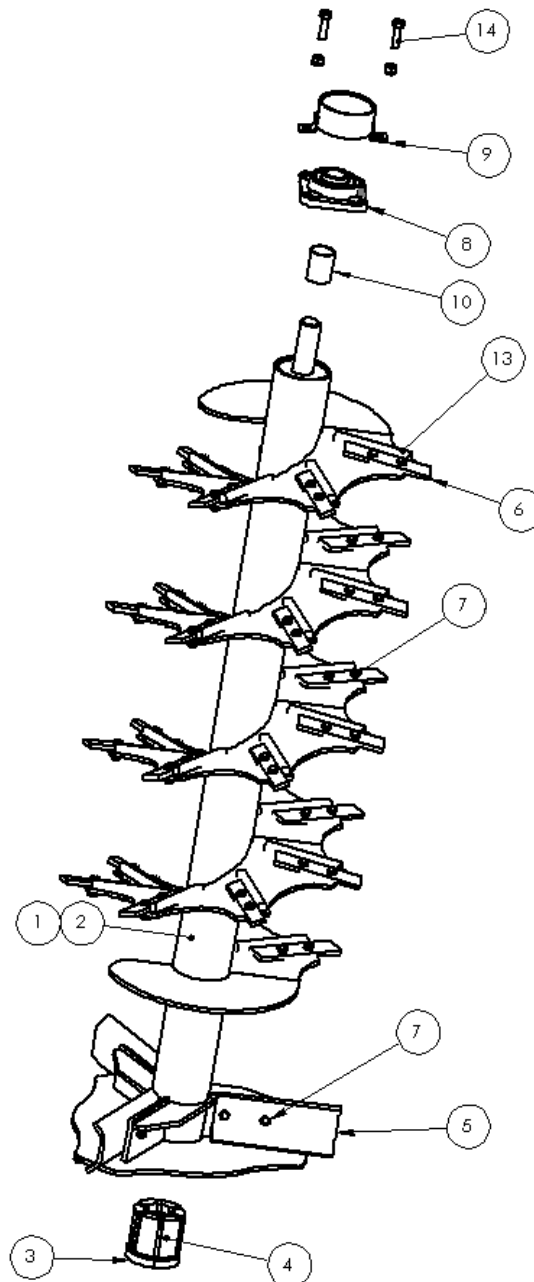


3.7 BOTTENMATTANS FRÄMRE AXEL OCH KEDJOR

KEY	QTY	PART No.	DESCRIPTION
1	22	B2040	FLOOR SLAT BOX TYPE ST 90 och 150 (75/105C)
1	28	B2040	FLOOR SLAT BOX TYPE ST 115/150/185 (90/105/150C)
1	30	B2040	FLOOR SLAT BOX TYPE ST 165 (120)
1	33	B2040	FLOOR SLAT BOX TYPE ST 185 (150)
2	2	B2286	ADJUSTER M24
3	2	B2202	JOINER LINK ASSEMBLY
4	2	B2126	CLEANER FRONT GYPSY
5	4	73031	BOLT M8 x 12
6	2	B2320	ACM BUSH M50
6	2	B2322	ACM BUSH M60
7	2	B2290	BEARING BLOCK M50
7	2	B2294	BEARING BLOCK M60
8	2	B2345	SPACER M50
8	2	B2346	SPACER M60 MK4 ST 185 (150) ONLY
9	1PR	B2153	FLOOR CHAIN 28FT STD SPACED TAB EVERY 4TH LINK ST 90/150C (75/105C)
9	1PR	B2163	FLOOR CHAIN 35FT STD SPACED TAB EVERY 4TH LINK ST 115/150 (90/105)
9	1PR	B2173	FLOOR CHAIN 37FT STD SPACED TAB EVERY 4TH LINK ST 165 (120)
9	1PR	B2183	FLOOR CHAIN 37FT STD SPACED TAB EVERY 4TH LINK ST 185 (150)
9	1PR	B2155	FLOOR CHAIN 28FT CLOSE TAB EVERY 3RD LINK ST 90/150C (75/105C)
9	1PR	B2165	FLOOR CHAIN 35FT CLOSE TAB EVERY 3RD LINK ST 115/150 (90/105)
9	1PR	B2175	FLOOR CHAIN 37FT CLOSE TAB EVERY 3RD LINK ST 165 (120)
9	1PR	B2185	FLOOR CHAIN 40FT CLOSE TAB EVERY 3RD LINK ST 185 (150)
10	1	B2220	FRONT SHAFT M50
10	1	B2222	FRONT SHAFT M60 FOR MK4 ST 185 (150) ONLY
11	4	B2214	PLATE WHEELS WELD ON
12	2	50726	GREASE NIPPLE
13	2	REF	DOG BONE 16mm CHAINS
14	4	REF	ROLL PIN
15	4		SPRING WASHER M8

4 SPRIDARVALSAR OCH DRIVNING

4.1 SPRIDARVALSAR MK4

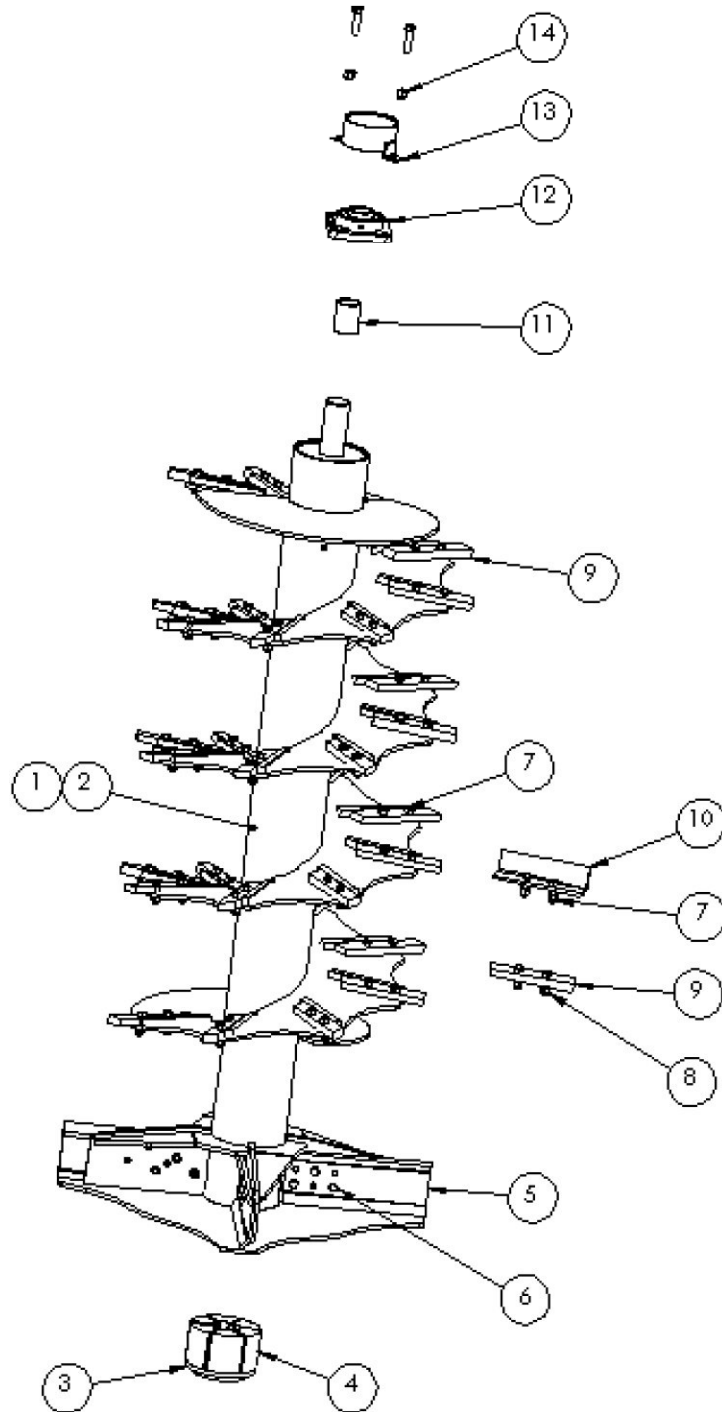


4.1 SPRIDARVALSAR MK4

<u>KEY</u>	<u>QTY</u>	<u>PART No.</u>	<u>DESCRIPTION</u>
1	1	B1021	AUGER R.H ST 90/115 (75/90)
	1	B1031	AUGER R.H ST 150/150C/165/185 (105/105C/120/150/150C)
2	1	B1020	AUGER L.H ST 90/115 (75/90)
	1	B1030	AUGER L.H ST 150/150C/165/185 (105/105C/120/150/150C)
3	2	B1152	DRIVE FLANGE
4	12	B1142	RUBBER DRIVE BLOCK
5	3	B1122	BLADE BORON EACH AUGER
6	44	B1102	CUTTER ST 90/115 (75/90) BORON
	56	B1102	CUTTER ST 150/150C/165/185 (105/105C/120/150/150C) BORON
7	100	B1107	BOLT & NUT M14x40 FINE
	124	B1107	BOLT & NUT M14x40 FINE
8	2	B1178/1	BEARING M50
9	2	B1193	BEARING COVER M50
10	2	B2350	SPACER
11		B1106	ANGLE THROWER - OPTION
13	44	B1098	REINFORCING BAR
14	4	73154	16 x 50 BOLT

NOTERA:
B1102 PASSAR PÅ MASKINER EFTER SEPTEMBER 2014
B1100 PASSAR PÅ MASKINER FÖRE SEPTEMBER 2014

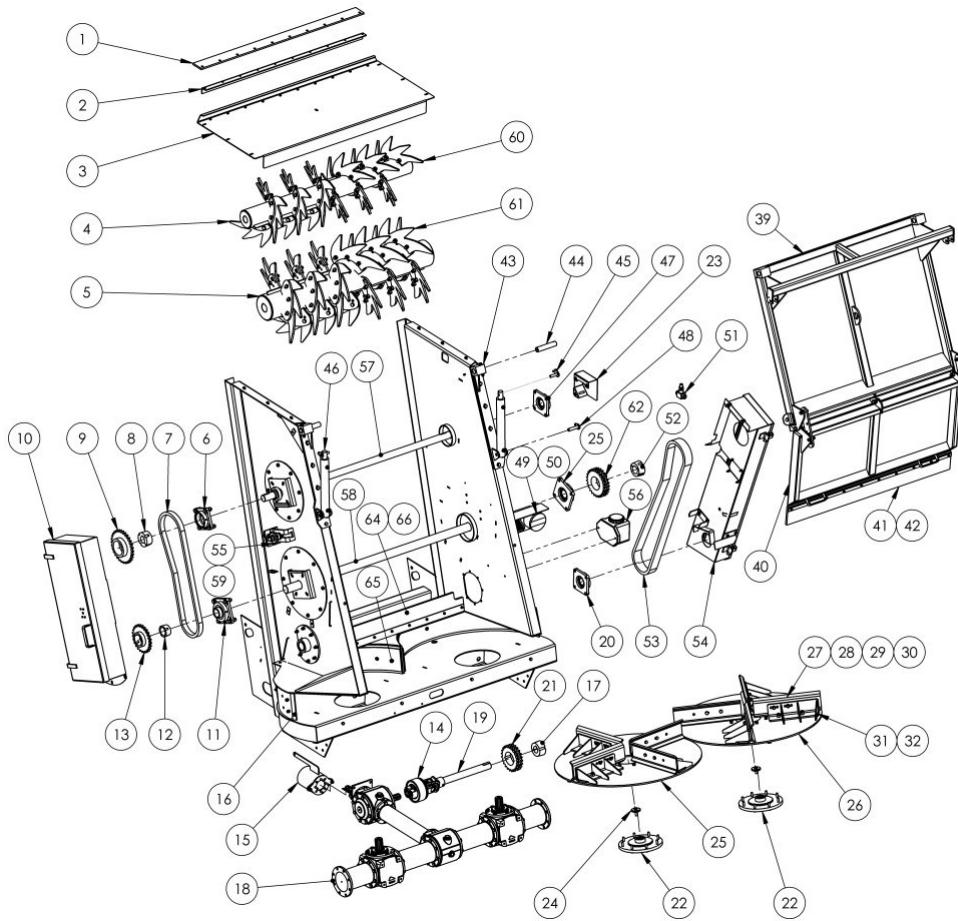
4.2 SPRIDARVALSAR "WIDE BODY"



4.2 SPRIDARVALSAR "WIDE BODY"

<u>KEY</u>	<u>QTY</u>	<u>PART No.</u>	<u>DESCRIPTION</u>
1	1	B1044	AUGER L.H
2	1	B1045	AUGER R.H
3	2	B1156	DRIVE FLANGE
4	12	B1146	RUBBER DRIVE BLOCK W.B MK2
5	8	B1123	AUGER BLADE
6		B1107	BOLT & LOCKNUT
7		B1107	BOLT & LOCKNUT FOR STD CUTTER & ANGLE THROWER
8		B1107	BOLT & NYLOC FOR CUTTER POINT H.D
9		B1102	CUTTER STD POINT BORON
9		B1101	CUTTER POINT H.D BORON
10		B1106	ANGLE THROWER OPTIONAL
11	2	B2352	SPACER
12	2	B1180/1	BEARING M60
13	2	B1194	BEARING COVER
14	4	73154	16 x 50 BOLT

4.3 LIGGANDE SPRIDARVALSAR MED TVÅ SPRIDARTALLRIKAR



KEY	QTY	PART No.	DESCRIPTION
1	1	B4127	RUBBER SEAL CANOPY
2	1	DMS3669	CLAMP ANGLE
3	1	DMS3670-1	CANOPY LID
4	1	AMS1204	TOP BEATER ASSEMBLY
5	1	AMS1203	BOTTOM BEATER ASSEMBLY
6	1	B1178/1	BEARING UCFX10-50mm
7	1	BC120	1" SINGLE CHAIN
8	1	BC442	TAPERLOCK BUSH 3020/50
9	1	BC258	30T SINGLE SPROCKET 3020
10	1	AMS2144	LHS CHAIN GUARD
11	2	B1180/1	BEARING UCFX13-60mm
12	1	BC436	TAPERLOCK BUSH 2517/60
13	1	BC248	25T SINGLE SPROCKET
14	1	42505	TORQUE LIMITER UNION ASSY 1-3/4" 6 SPLINE
15	1	AMS1524	PTO GEARBOX GUARD

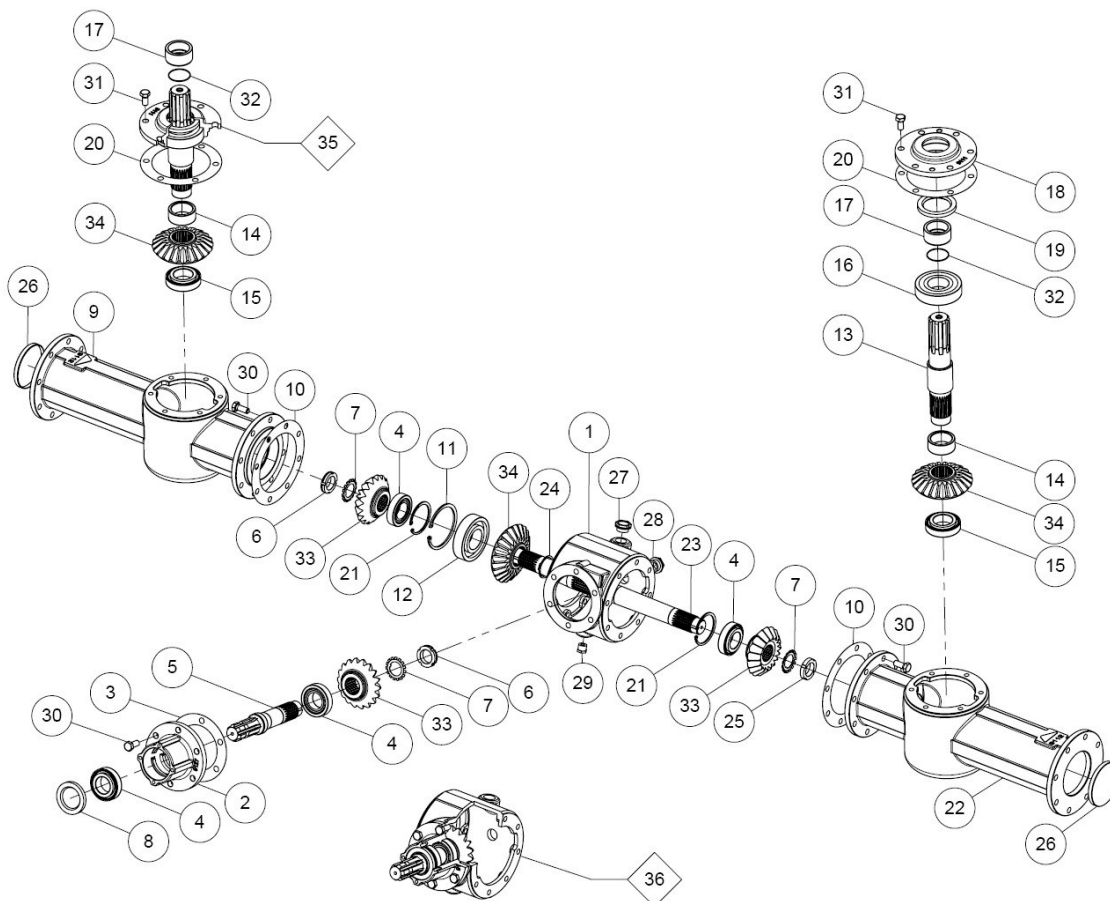
4.3 LIGGANDE SPRIDARVALSAR MED TVÅ SPRIDARTALLRIKAR

KEY	QTY	PART No.	DESCRIPTION
16	2	DMS3781	WEAR END PLATE
17	1	BC442	TAPERLOCK BUSH 3020/50
18	1	B3192	SPINNING DISC GEARBOX
19	1	DMS1328	DRIVE SHAFT
20	1	B1178/1	BEARING UCF10-50mm
21	1	BC290/B442	23T SPROCKET & TAPERLOCK
22	1	AMS0069	MOUNTING FLANGE ASSEMBLY
23	1	DMS3600	SENSOR COVER
24	2	DMS0322	END CAP SPINNER
25	1	DMS3007	LHS SPINNING DISC HARDOX
26	1	DMS3007	RHS SPINNING DISC HARDOX
27	4	B1130	PADDLE
28	4	B1130	PADDLE
29	16		M14x40 BOLT
30	16		M14 NYLOC NUT
31	4	B8356	BLADE HOLDER LHS
32	4	B8357	BLADE HOLDER RHS
33	1	DMS2411	BRACKET OILER
34	1	B8915	OILER PUMP
35	1	10325.2	ACM WEAR PAD
36	2		M6x25 BOLT
37	2		M6 NYLOC NUT
38	1	DMS2410	END CAP OILER
39	1	B8450	TOP DOOR
40	1	B8451	BOTTOM DOOR
41	1	B4126	CANOPY RUBBER
42	1	DMS3004	RUBBER CLAMP STRIP
43	2	AMS1867-1	CANOPY DOOR HINGE ASSEMBLY
44	2	DMS2381	PIVOT PIN
45	2	DMS0940-1	TOP RAM PIN
46	2	65093	RAM CANOPY DOOR
47	1	B1178/1	BEARING UCFX10-50mm
48	1	DMS0940-2	BOTTOM RAM PIN
49	2	70081	TRIANGLE REFLECTOR
50	2	70009/3	LED REAR LAMP
51	2	52106	DIVERTER VALVE
52	1	BC445	TAPERLOCK BUSH 3020/60
53	1	BC140	1" DUPLEX CHAIN
54	1	AMS2867	RHS CHAIN GUARD
55	1	AMS1861	TENSION ASSEMBLY RHS
56	1	B8920	OIL TANK FOR OILER
57	1	DMS0918-2132	TOP BEATER SHAFT
58	1	DMS1934-2192	BOTTOM BEATER SHAFT
59	1	AMS1862	TENSION ASSEMBLY LHS

4.3 LIGGANDE SPRIDARVALSAR MED TVÅ SPRIDARTALLRIKAR

KEY	QTY	PART No.	DESCRIPTION
60	18	B1101/4A	BEATER KNIFE TOP CUTTER
61	18	B1101/7A	BEATER KNIFE BOTTOM CUTTER
62	1	BC294	25T DUPLEX SPROCKET
63	2	B2322	ACM BEARING
64	1	B4176	SPINNER DECK RUBBER
65	2		HARDOX WEAR PAD WRAP
66	1	B3004	RUBBER CLAMP STRIP

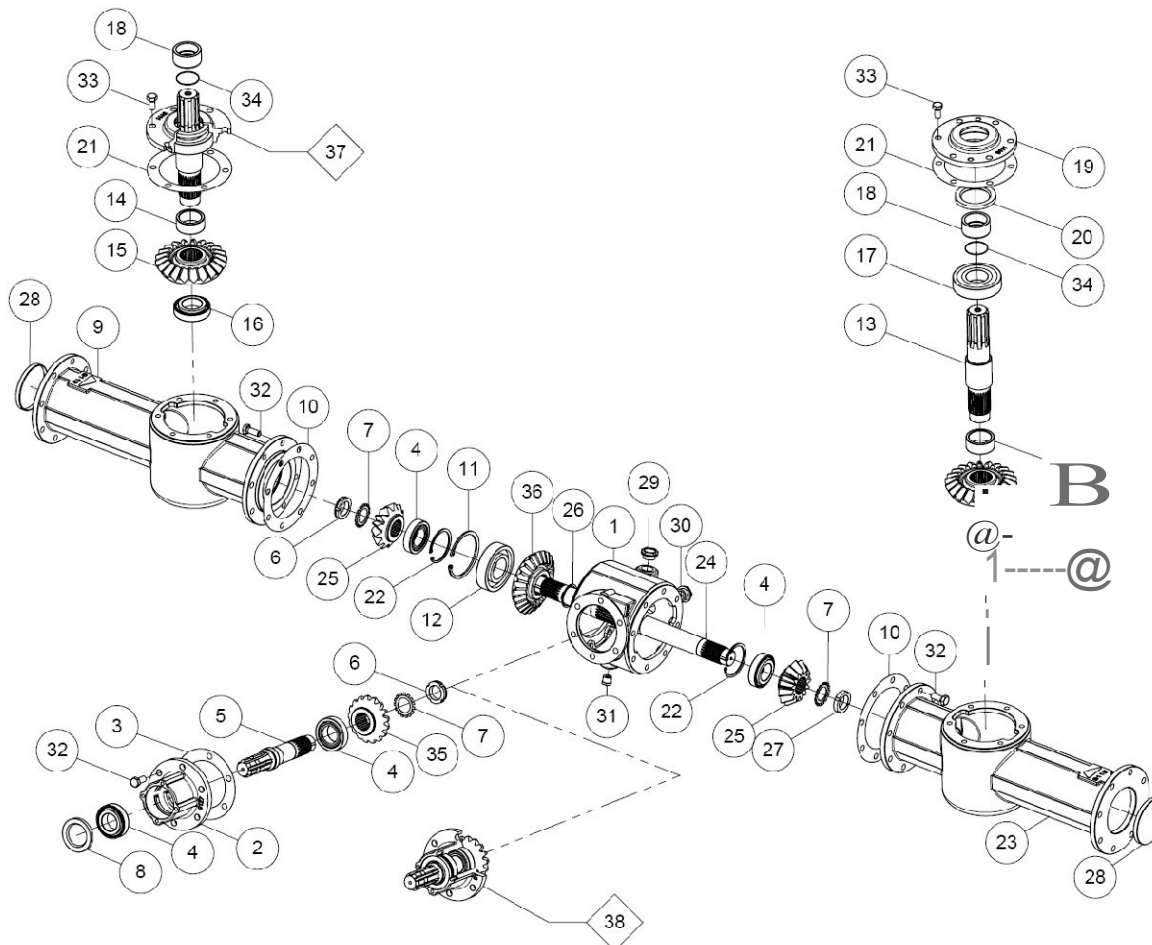
4.4 VÄXELLÅDA 540/360 STANDARD Art. nr. B3172



4.4 VÄXELLÅDA 540/360 STANDARD Art. nr. B3172

<u>KEY</u>	<u>QTY</u>	<u>PART No.</u>	<u>DESCRIPTION</u>
1	1	B3404	CASING
2	1	B3410	EXTENSION
3	1	B3494	GASKET
4	4	BR175	BEARING
5	1	B3440	SHAFT
6	2	B3510	NUT LH THREAD
7	3	B3520	WASHER
8	1	SL165	SEAL
9	1	B3400	CASING R.H
10	2	B3492	GASKET
11	1	B4014	CIRCLIP
12	1	BR410	BEARING
13	2	B3442	SHAFT
14	2	B3480	SPACER
15	2	BR180	BEARING
16	2	BR405	BEARING
17	2	B3482	SLEEVE
18	2	B3420	TOP PLATE
19	2	SL195	SEAL
20	2	B3490	GASKET
21	2	B4007	CIRCLIP
22	1	B3402	CASING
23	1	B3446	SHAFT
24	1	B4020	CIRCLIP
25	1	B3512	NUT R.H THREAD
26	2	SL275	CAP SEAL
27	1	B3998	PLUG
28	1	B3996	SIGHT GLASS
29	1	B3990	DRAIN BUNG
30	22	73125	BOLT
31	12	73124	BOLT
32	2	B3939	O -RING
33	3	B3454	PINION
34	3	B3464	GEAR
35	2	B3420	DRIVE ASSEMBLY
36	1	B3409/1	NOSE CONE ASSEMBLY

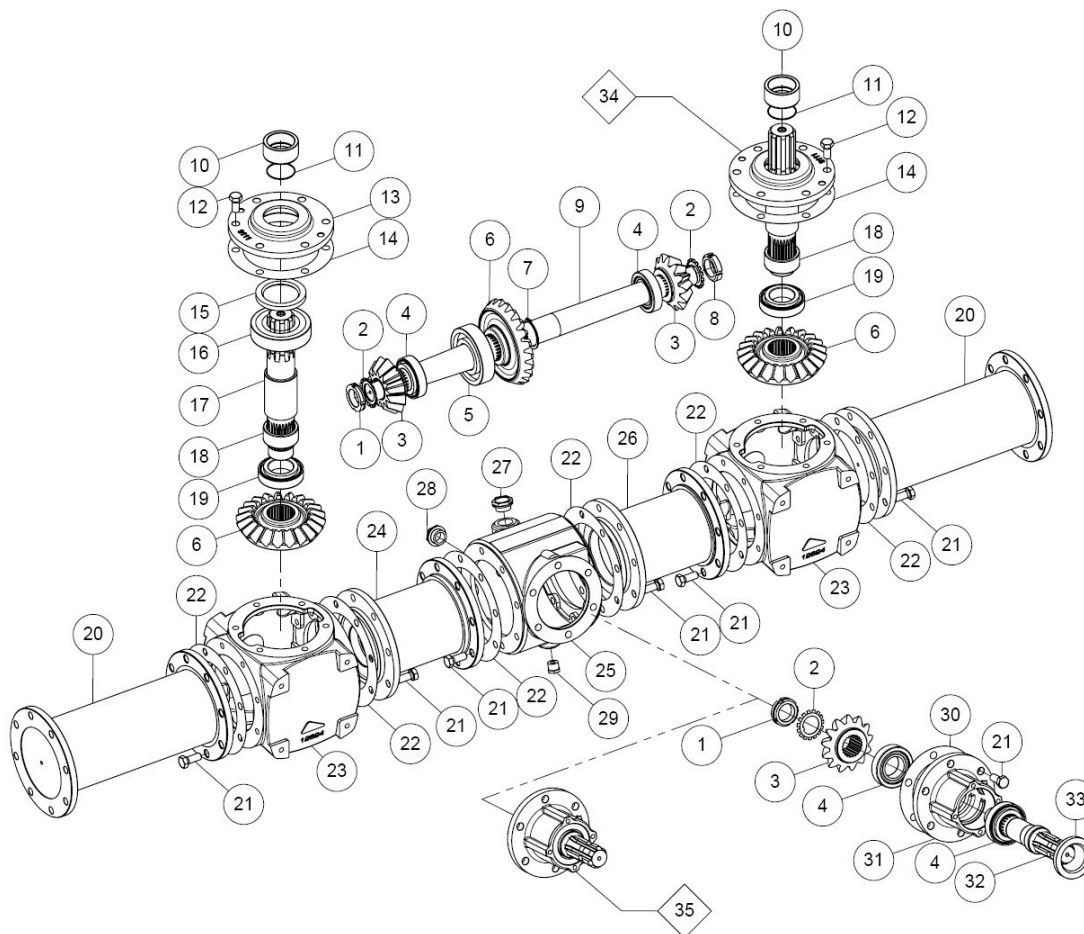
4.5 VÄXELLÅDA 1000/420 STANDARD Art. nr. B3170



4.5 VÄXELLÅDA 1000/420 STANDARD Art. nr. B3170

<u>KEY</u>	<u>QTY</u>	<u>PART No.</u>	<u>DESCRIPTION</u>
1	1	B3404	CASING
2	1	B3410	EXTENSION
3	1	B3494	GASKET
4	4	BR175	BEARING
5	1	B3440	SHAFT
6	2	B3510	NUT LH THREAD
7	3	B3520	WASHER
8	1	SL165	SEAL
9	1	B3400	CASING
10	2	B3492	GASKET
11	1	B4014	CIRCLIP
12	1	BR410	BEARING
13	2	B3442	SHAFT
14	2	B3480	SPACER
15	2	B3466	CROWN GEAR
16	2	BR180	BEARING
17	2	BR405	BEARING
18	2	B3482	SLEEVE
19	2	B3420	TOP PLATE
20	2	SL195	SEAL
21	2	B3490	GASKET
22	2	B4007	CIRCLIP
23	1	B3402	CASING
24	1	B3446	SHAFT
25	2	B3456	PINION GEAR
26	1	B4020	CIRCLIP
27	1	B3512	NUT RH THREAD
28	2	SL275	CAP SEAL
29	1	B3998	PLUG
30	1	B3996	SIGHT GLASS
31	1	B3990	DRAIN BUNG
32	22	73125	BOLT
33	12	73124	BOLT
34	2	B3939	O RING
35	1	B3458	PINION GEAR
36	1	B3468	PINION GEAR
37	2	B3420	DRIVE ASSEMBLY
38	1	B3409	NOSE CONE ASSEMBLY

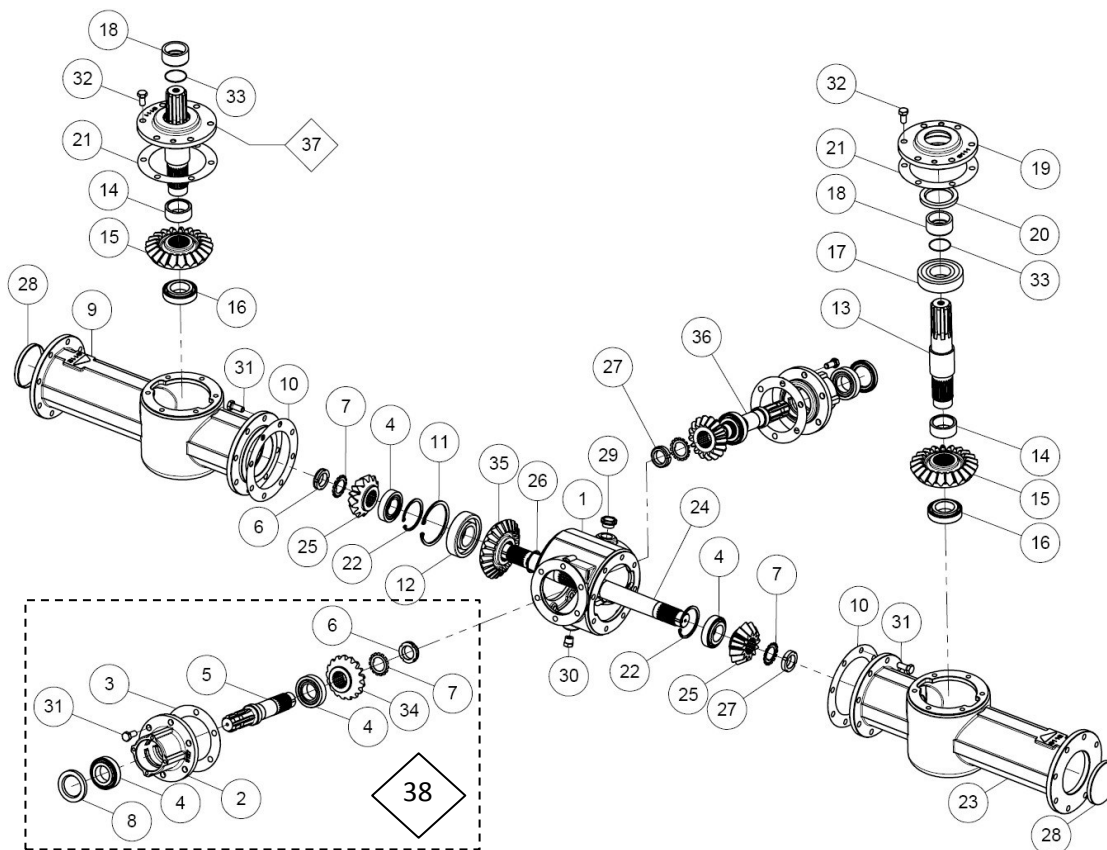
4.6 VÄXELLÅDA 1000/350 WIDEBODY Art. nr. B3180



4.6 VÄXELLÅDA 1000/350 WIDEBODY Art. nr. B3180

<u>KEY</u>	<u>QTY</u>	<u>PART No.</u>	<u>DESCRIPTION</u>
1	1	B3510	NUT
2	3	B3520	LOCKING WASHER
3	3	B3460	PINION GEAR
4	4	BR175	BEARING
5	1	BR410	BEARING
6	3	B3470	CROWN GEAR
7	1	B4020	CIRCLIP
8	2	B3510	NUT
9	1	B3448	CROSS SHAFT
10	2	B3482	SPACER SLEEVE
11	2	B3939	O RING
12	12	73124	BOLT
13	2	B3420	TOP PLATE
14	2	B3490	GASKET
15	2	SL195	SEAL
16	2	BR405	BEARING
17	2	B3444	OUTPUT SHAFT
18	2	B3480	GEAR SPACER
19	2	BR180	BEARING
20	2	B3412	OUTER CASE SECTION
21	54	73125	BOLT
22	6	B3492	GASKET
23	2	B3418	AUGER GEAR CASE
24	1	B3414	INNER CASE SECTION
25	1	B3404	CENTRE CASE
26	1	B3417	INNER CASE SECTION
27	1	B3998	BREATHER PLUG
28	1	B3996	SIGHT GLASS
29	1	B3990	DRAIN PLUG
30	1	B3494	GASKET EXT
31	1	B3410	EXTENSION
32	1	B3440	INPUT SHAFT
33	1	SL165	SEAL
34	2	B3420	DRIVE ASSEMBLY
35	1	B3408	NOSE CONE ASSEMBLY

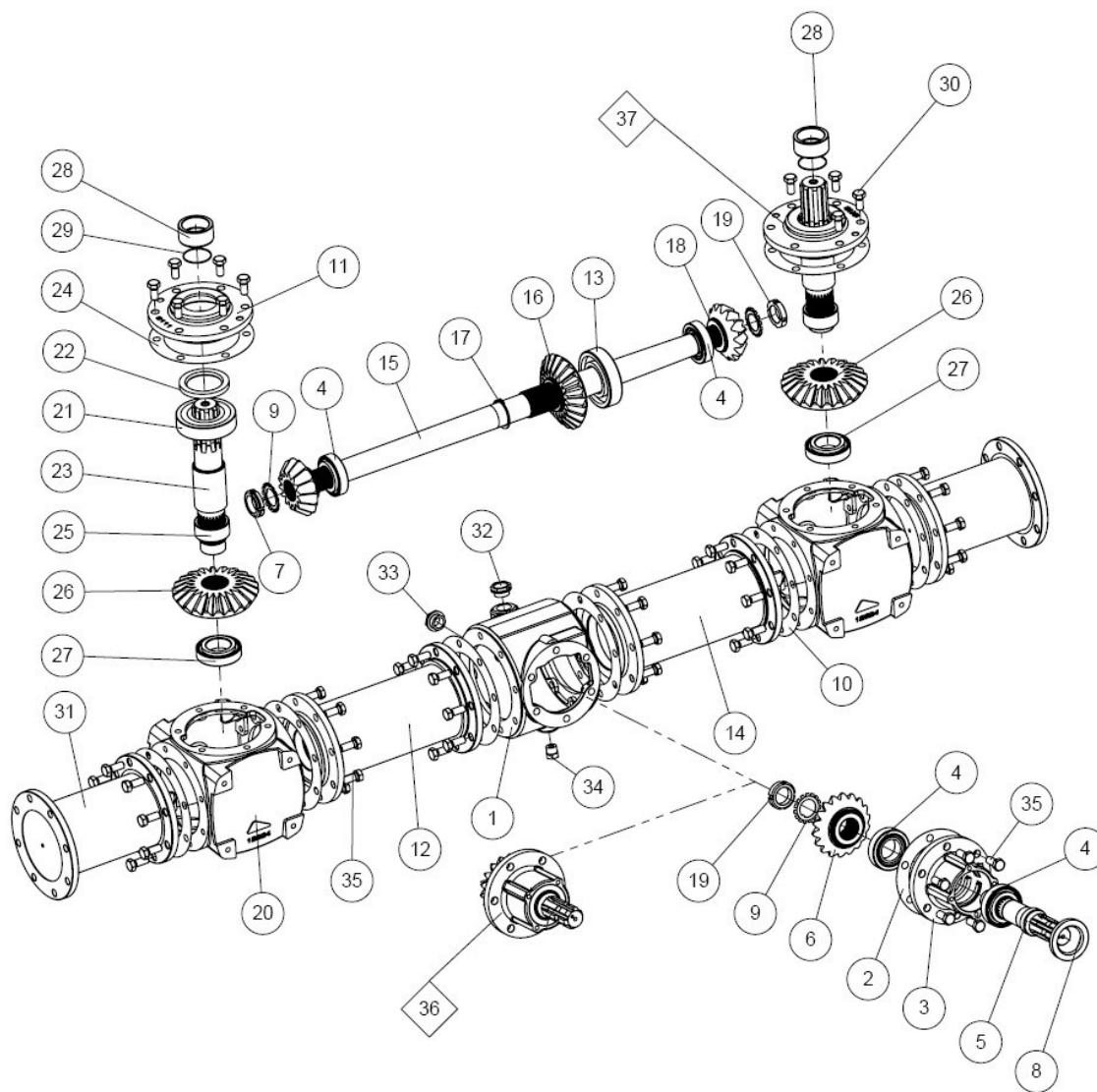
4.7 VÄXELLÅDA 1000/420 SPINNER DECK Art. nr. B3175.



4.7 VÄXELLÅDA 1000/420 SPINNER DECK Art. nr. B3175.

<u>KEY</u>	<u>QTY</u>	<u>PART No.</u>	<u>DESCRIPTION</u>
1	1		CASING
2	2	B3410	EXTENSION
3	2	B3494	GASKET
4	6	BR175	BEARING
5	1	B3440	SHAFT
6	2	B3510	NUT LH THREAD
7	4	B3520	WASHER
8	2	SL165	SEAL
9	1	B3400	CASING
10	2	B3492	GASKET
11	1	B4014	CIRCLIP
12	1	BR410	BEARING
13	2	B3442	SHAFT
14	2	B3480	SPACER
15	2	B3466	CROWN GEAR
16	2	BR180	BEARING
17	2	BR405	BEARING
18	2	B3482	SLEEVE
19	2	B3420	TOP PLATE
20	2	SL195	SEAL
21	2	B3490	GASKET
22	2	B4007	CIRCLIP
23	1	B3402	CASING
24	1	B3446	SHAFT
25	2	B3456	PINION GEAR
26	1	B4020	CIRCLIP
27	2	B3512	NUT RH THREAD
28	2	SL275	CAP SEAL
29	1	B3998	PLUG
30	1	B3996	SIGHT GLASS
31	2	B3990	DRAIN BUNG
32	22	73125	BOLT
33	12	B3939	O RING
34	2	B3458	PINION GEAR
35	1	B3468	PINION GEAR
36	1	B3442/1	SHAFT
37	2	B3420	DRIVE ASSEMBLY
38	1	B3409	NOSE CONE ASSEMBLY

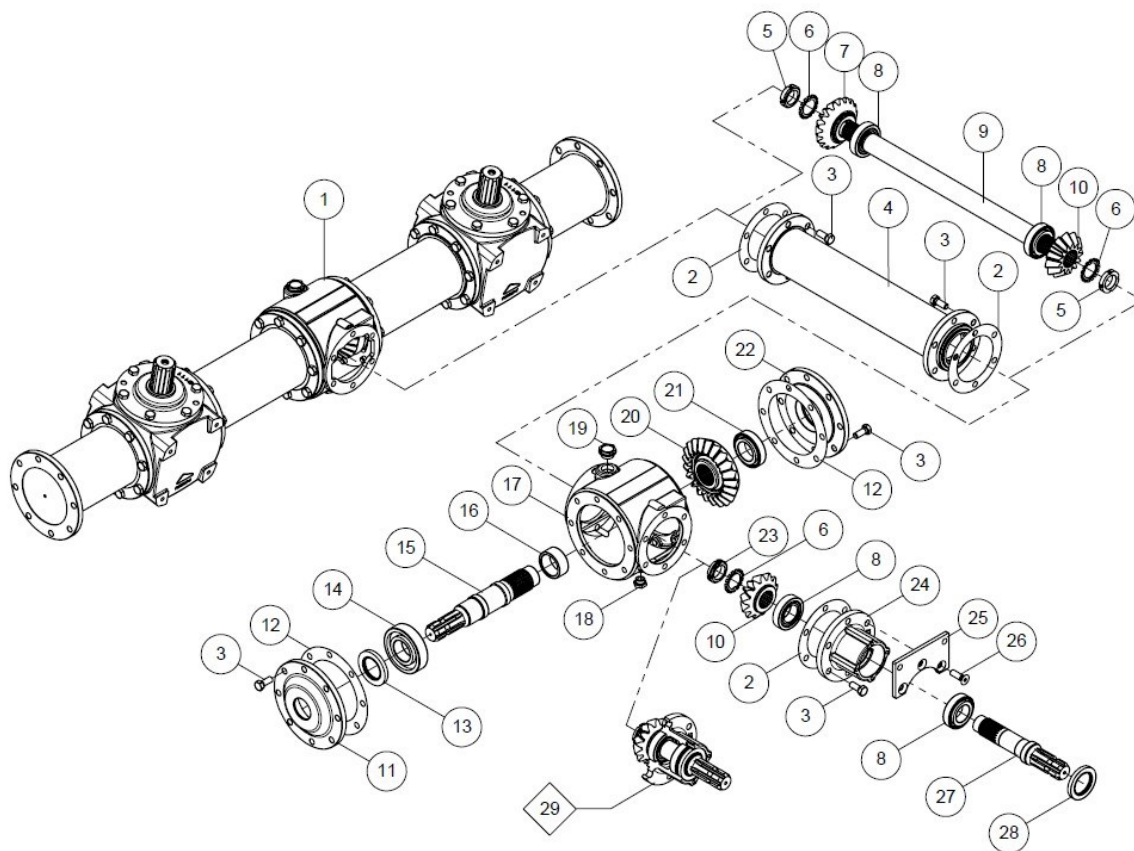
4.8 VÄXELLÅDA SPINNER DECK 1000/520 Art. nr. B3190



4.8 VÄXELLÅDA SPINNER DECK 1000/520 Art. nr. B3190

<u>KEY</u>	<u>QTY</u>	<u>PART No.</u>	<u>DESCRIPTION</u>
1	1	B3405	CASING
2	1	B3494	GASKET
3	1	B3410	EXTENSION
4	4	BR175	BEARING
5	1	B3440	SHAFT
6	1	B3454	PINION GEAR
7	1	B3510	NUT LH THREAD
8	1	SL165	SEAL
9	3	B3520	WASHER
10	6	B3492	GASKET
11	2	B3420	TOP PLATE
12	1	B3415R	INNER CASE SECTION
13	1	BR410	BEARING
14	1	B3416R	INNER CASE SECTION
15	1	B3449R	CROSS SHAFT
16	1	B3464	PINION GEAR
17	1	B3430	CIRCLIP
18	2	B3459	PINION GEAR
19	2	B3512	NUT
20	2	B3418	AUGER GEAR CASE
21	2	BR405	BEARING
22	2	SL195	SEAL
23	2	B3444	OUTPUT SHAFT
24	2	B3490	GASKET
25	2	B3480	SPACER
26	2	B3469	CROWN GEAR
27	2	BR180	BEARING
28	2	B3482	SLEEVE
29	2	B3939	O RING
30	12	73124	BOLT
31	2	B3413	OUTER CASE SECTION
32	1	B3998	PLUG
33	1	B3996	SIGHT GLASS
34	1	B3990	DRAIN BUNG
35	54	73125	BOLT
36	1	B3408/1	NOSE CONE ASSEMBLY
37	2	B3420	DRIVE ASSEMBLY

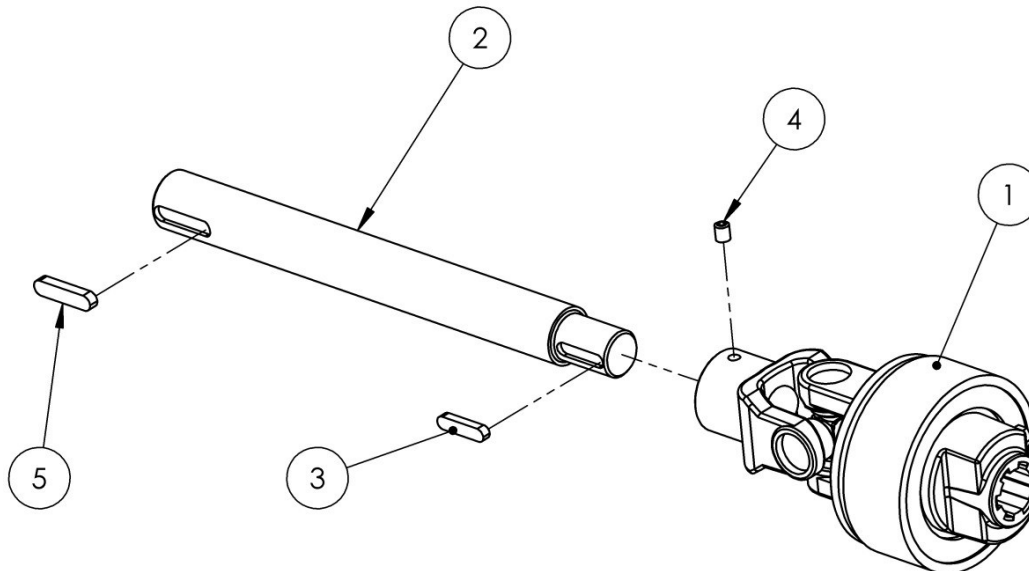
4.9 VÄXELLÅDA LIGGANDE VALSAR 1000/590/520-BN MKIV Art. Nr. B3183



4.9 VÄXELLÅDA LIGGANDE VALSAR 1000/590/520-BN MKIV Art. Nr. B3183

<u>KEY</u>	<u>QTY</u>	<u>PART No.</u>	<u>DESCRIPTION</u>
1	1	B3511	BACK GEAR BOX
2	3	B3494	GASKET
3	31	73125	SCREW, HEX-HD M14x35
4	1	B3514	SPACER L = 573.5
5	2	B3512	THREADED RING
6	3	B3520	WASHER
7	1	B3454	BEVEL PINION Z = 18
8	4	BR175	BEARING 32209
9	1	B3515	SHAFT
10	2	B3460	BEVEL PINION Z = 13
11	1	B3516	FLANGE
12	2	B3492	GASKET
13	1	SL178	OIL SEAL 55/90/10 DL
14	1	BR410	BEARING 6311
15	1	B3517	OUTPUT SHAFT
16	1	B3480	SPACER
17	1	B3405	HOUSING
18	1	B3990	OIL PLUG DIA 1/2"
19	1	B3998	OIL BREATHER PLUG DIA 1"
20	1	B3470	GEAR Z = 22
21	1	BR180	BEARING 32210
22	1	B3518	BLIND FLANGE
23	1	B3510	THREADED RING
24	1	B3410	HUB
25	1	B3519	SUPPORT PLATE
26	3	73128	SCREW M14x45
27	1	B3440	SHAFT
28	1	SL165	OIL SEAL 55/85/10-DL
29	1	B3408	COMPLETE HUB

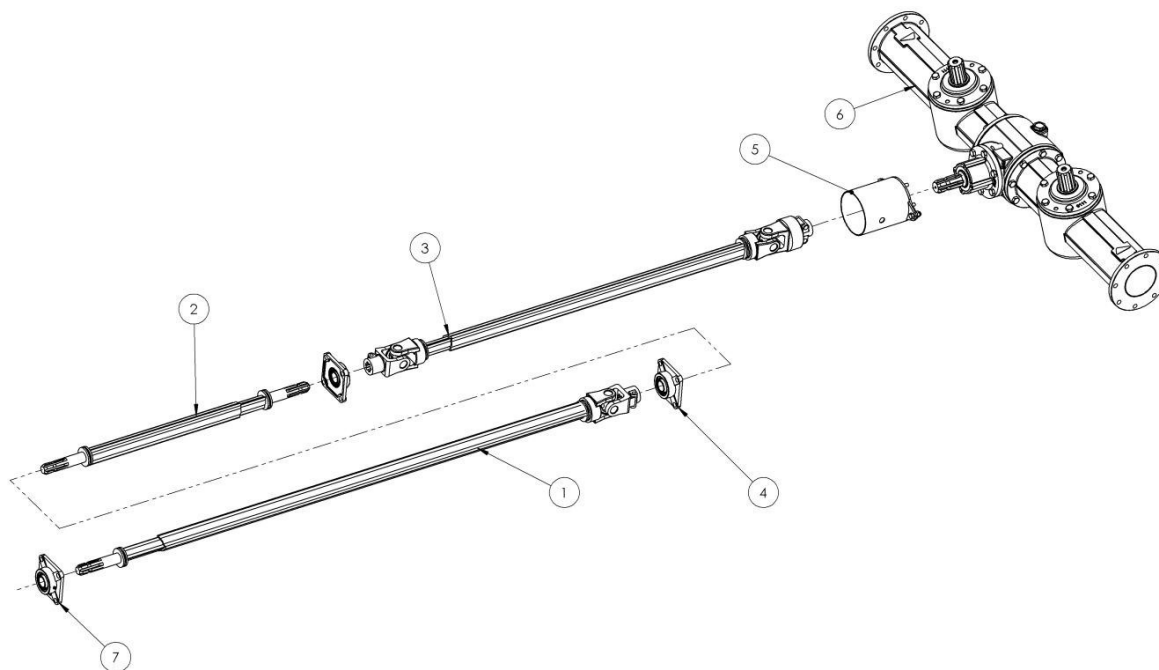
4.10 DRIVLINA FÖR LIGGANDE SPRIDARVALSAR



KEY	QTY	PART No.	DESCRIPTION
1	1	42505	TORQUE LIMITER ASSEMBLY 1-3/4" TO 6 SPLINE
2	1	DMS1328-11	DRIVE SHAFT MKIV
3	1	DMS0263-03	KEY 12x8
4	1	73898	GRUB SCREW M12 x 16LG
5	1	DMS0326	KEY 14x9

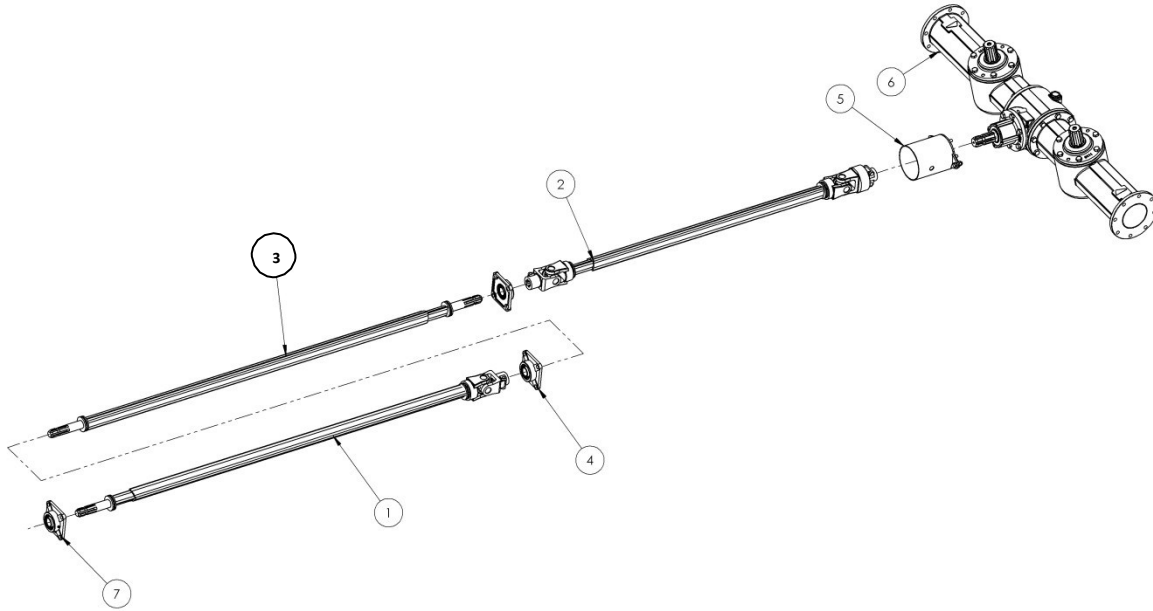
5. P.T.O OCH DRIVLINA

5.1 MK4 DRIVNING MODELL ST 90-150 (MK 4 75-105C)



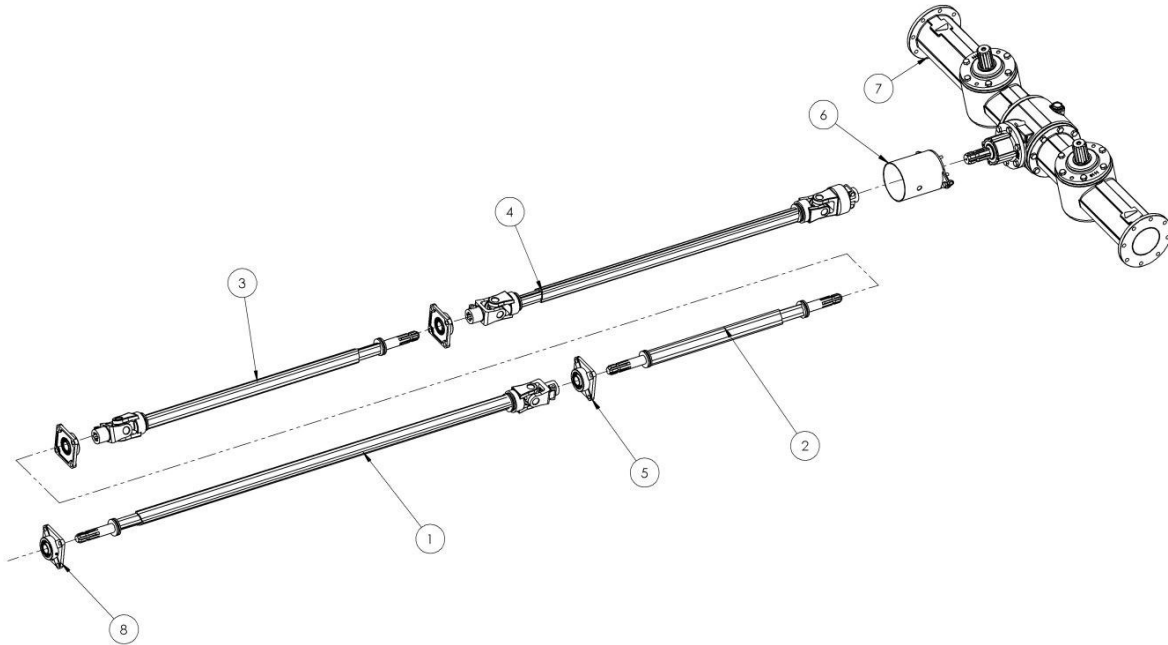
<u>KEY</u>	<u>QTY</u>	<u>PART No.</u>	<u>DESCRIPTION</u>
1	1	42260	PTO SHAFT F/M
2	1	42301	PTO SHAFT M/M SHORT
3	1	42300	PTO SHAFT F/F
4	2	B1170/1	BEARING M35
5	1	AMS1524	GUARD
6	1	B3170	GEARBOX
7	1	B1173	BRG MSF35 FRONT ONLY

5.2 MK4 DRIVING MODELL ST 100-185 (MK 4 85/90/105/105HY/150C)



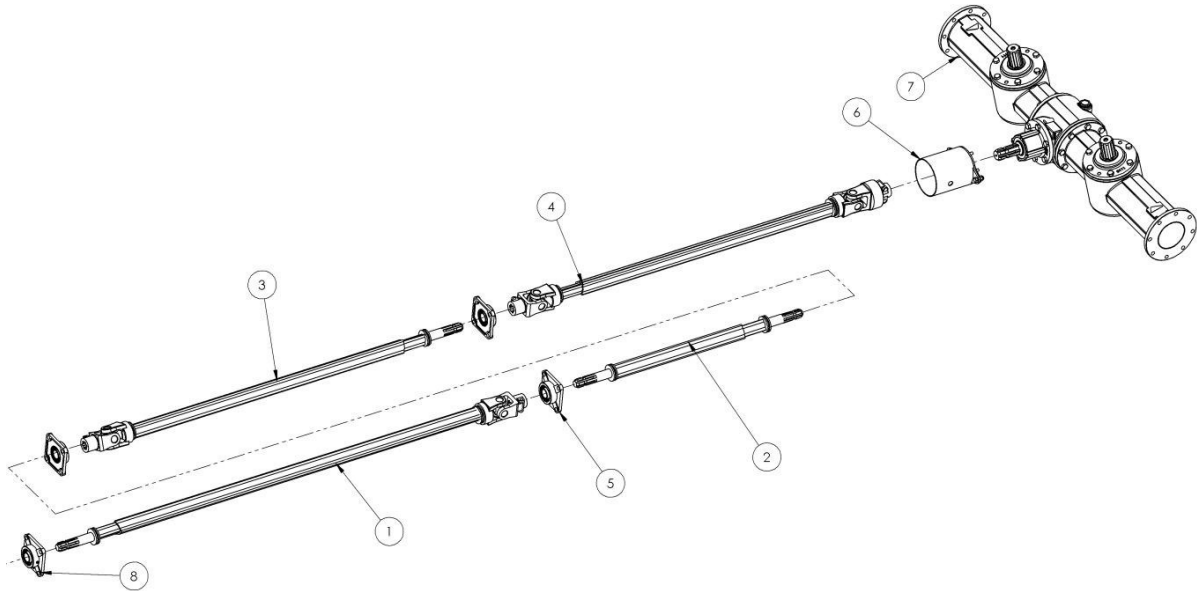
<u>KEY</u>	<u>QTY</u>	<u>PART No.</u>	<u>DESCRIPTION</u>
1	1	42260	PTO SHAFT F/M
2	1	42302	PTO SHAFT M/M
3	1	42300	PTO SHAFT F/F
4	3	B1170/1	BEARING M35
5	1	AMS1524	GUARD
6	1	B3170	GEARBOX
7	1	B1173	BRG MSF35 FRONT ONLY

5.3 MK4 DRIVNING ST 165 (MK 4 120/120HY)



KEY	QTY	PART No.	DESCRIPTION
1	1	42260	PTO SHAFT F/M
2	1	42301	PTO SHAFT M/M
3	1	42250	PTO SHAFT F/M
4	1	42300	PTO SHAFT F/F
5	2	B1170/1	BEARING M35
6	1	AMS1524	GUARD
7	1	B3170	GEARBOX
8	1	B1173	BGR MSF35 FRONT ONLY

5.4 MK4 DRIVNING ST 185 (MK 4 150/150HY)



KEY	QTY	PART No.	DESCRIPTION
1	1	42260	PTO SHAFT F/M
2	1	42301	PTO SHAFT M/M
3	1	42255	PTO SHAFT F/M
4	1	42300	PTO SHAFT F/F
5	3	B1170/1	BEARING M35
6	1	AMS1524	GUARD
7	1	B3170	GEARBOX
8	1	B1173	BGR MSF35 FRONT ONLY

5.5 MK4 DRIVNING LIGGANDE SPRIDARVALSAR

MODEL	FRONT	MIDDLE	REAR
ST 150 (105)	42260	42250	42280
ST 165 (120)	42260	42255	42280
ST 185 (150)	42260	42250 x 2	42280

Notera: Kapa PTO-axel 42270 för att passa.

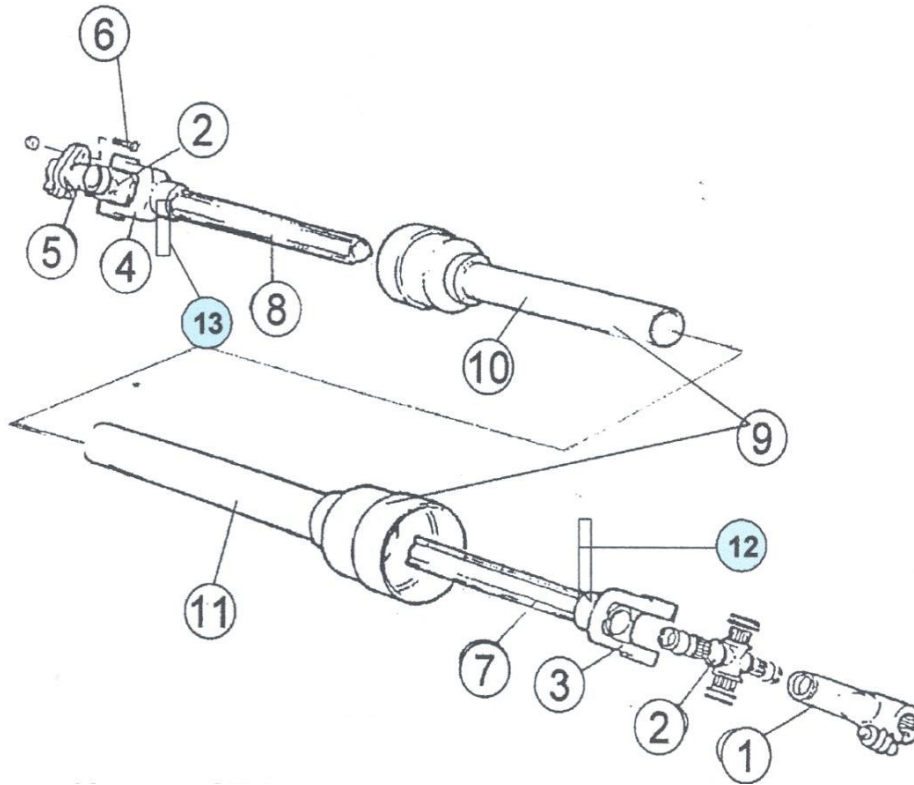
**5.7 WALTERSCHIED VIDVINKEL PTO
21 SPLINES 43005
6 SPLINES 43006**



5.8 WALTERSCHIED TORQUE LIMITER KOMPLETT 6 SPLINES W/A Art. nr. 43006TL

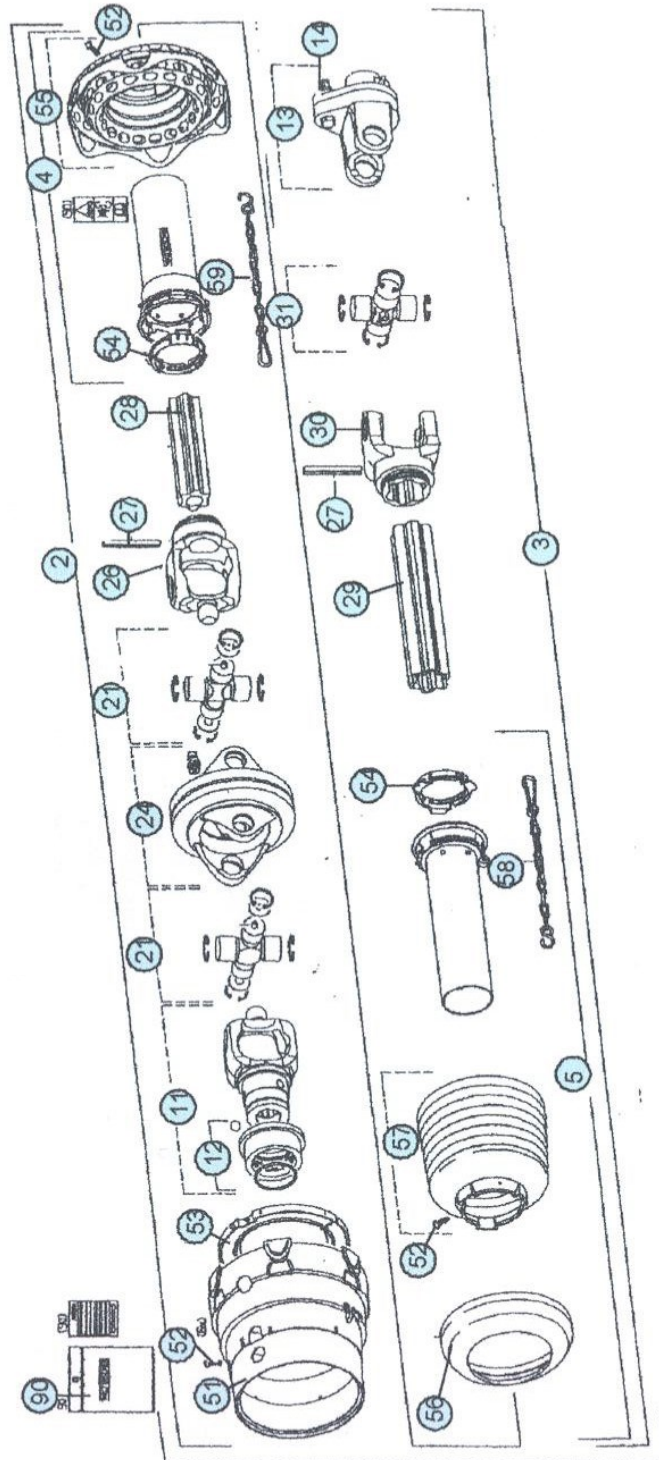


5.9 WALTERSCHEID P.T.O AXEL



KEY	QTY	PART No.	DESCRIPTION
1	1	43312	YOKE TO 6 SPLINE
	1	43313	YOKE TO 21 SPLINE
2	2	43325	JOURNAL
3	1	43314	YOKE TO S4 TUBE
4	1	43315	YOKE TO S5 TUBE
5	1	43317	YOKE TO SHEAR BOLT CLUTCH
6	1	B1311	SHEAR BOLT 6.8 HARDNESS
7		43301	S4 TUBE INNER
8		43302	S5 TUBE OUTER
9	1	43441	GUARD COMPLETE
10	1	43443	GAURD INNER
11	1	43444	GUARD OUTER
12	1	42030	ROLL PIN
13	1	42030	ROLL PIN

5.10 WALTERSCHEID VIDVINKEL P.T.O AXEL

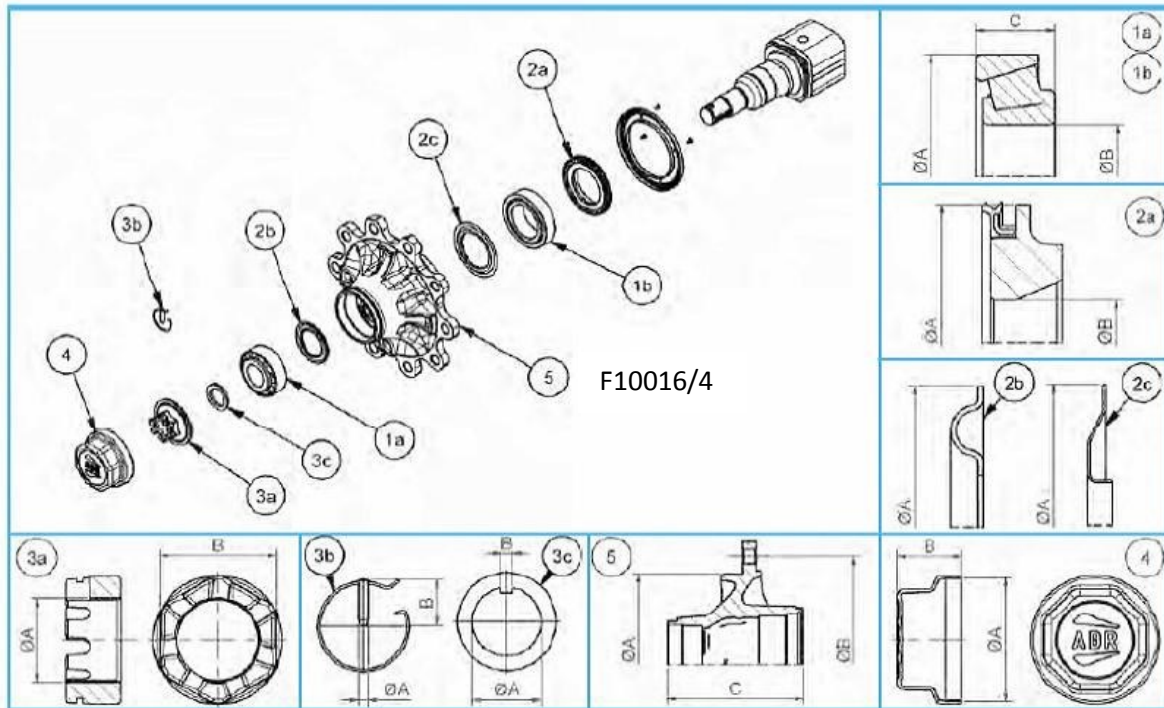


5.10 WALTERSCHEID VIDVINKEL P.T.O AXEL

<u>KEY</u>	<u>QTY</u>	<u>PART No.</u>	<u>DESCRIPTION</u>
1	1	43005	W/A P.T.O SHAFT COMPLETE 21 SPLINE
	1	43006	W/A P.T.O SHAFT COMPLETE 6 SPLINE
	1	43007	W/A P.T.O SHAFT COMPLETE 20 SPLINE
2	1	43390	21 SPLINE INNER W/A HALF SHAFT WITH OUTER GUARD
	1	43391	6 SPLINE INNER W/A HALF SHAFT WITH OUTER GUARD
	2	43389	20 SPLINE INNER W/A HALF SHAFT WITH OUTER GUARD
3	1	43392	6 SPLINE INNER W/A HALF SHAFT WITH OUTER GUARD
4	1	43472	W/A HALF GUARD OUTER
5	1	43470	W/A HALF GUARD INNER
11	1	43360	W/A YOKE TO 21 SPLINE
	1	43361	W/A YOKE TO 6 SPLINE
	11	43362	W/A YOKE TO 20 SPLINE
12	1	43322	AS - LOCK SIZE C (AG118)
13	1	43374	SHEAR BOLTS CLUTCH TO YOKE
14	1	B1311	SHEAR BOLT 6.8 HARDNESS
21	2	43367	W/A JOURNAL KIT COMPLETE
24	1	43365	W/A CENTRE BODY
26	1	43366	W/A YOKE TO S4 INNER TUBE
27	2	42030	ROLL PIN
28		43301/1	INNER TUBE STAR PROFILE COATED S4GA
29		43302	OUTER TUBE STAR PROFILE
30	1	43315	YOKE OUTER TUBE
31	1	43340	JOURNAL KIT
51	1	43474	W/A GUARD CONE
52	10	43490	SCREW
53	1	43475	W/A BEARING RING
54	1	43450	INNER TUBE BEARING RING
55	1	43476	W/A FLEXIBLE GUARD
56	1	43452	REINFORCING COLLAR
57	1	43451	CONE FOR INNER TUBE
58	1	43448	SAFETY CHAIN 400
59	1	43449	SAFETY CHAIN 600
90	1	43002	W/S INSTRUCTION MANUAL

6. BROMSAR OCH AXLAR

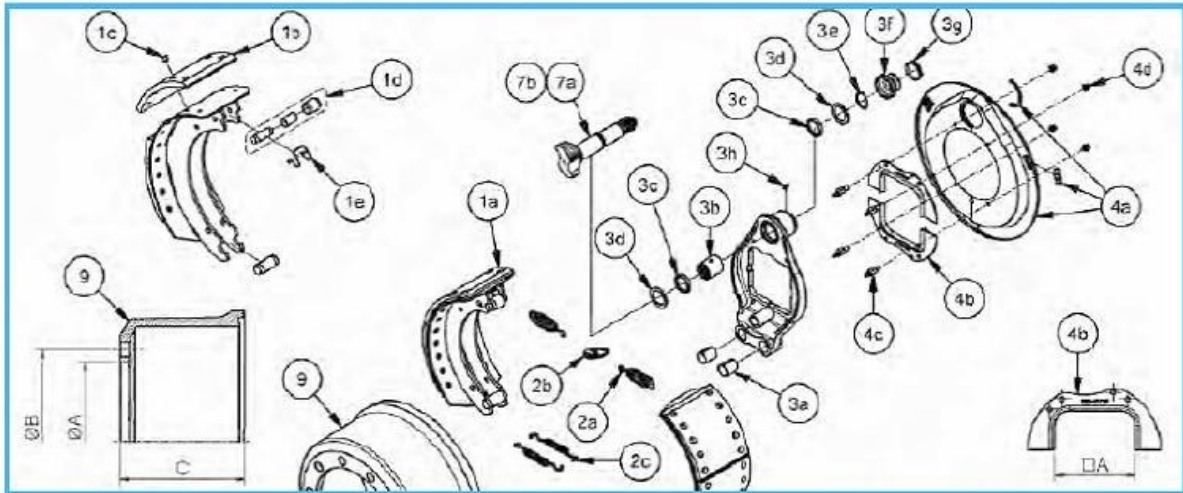
6.1 MODELL ST 90-115 (75, 85 & 90) – AXEL OCH NAVDELAR 120mm SQ AXLE 412E BRAKE



Item	Description	Code	A	B	C	Qty.	Kit code
1a	Bearing 32310	59132310	110	50	42,25	1	F10049E
1b	Bearing 33116	59133116	130	80	37	1	
2a	Oil seal	5441371	137	86	-	1	J1070
2b	Nilos 32310	5530991	99	-	-	1	
2c	Nilos 33116	5511302	130	-	-	1	
3a	Crown nut	57542D1	M42X2,0	60	-	2	F10066/3
3b	Spring pin	58105	8	36	-	2	
3c	Lock washer	57B4201	43	8,5	-	2	
4	Cap	56311002	M125X2,0	69	-	2	J1075
5	Hub 10 holes for M22X1,5	61L1RW004	290	335	193	1	F10016/4

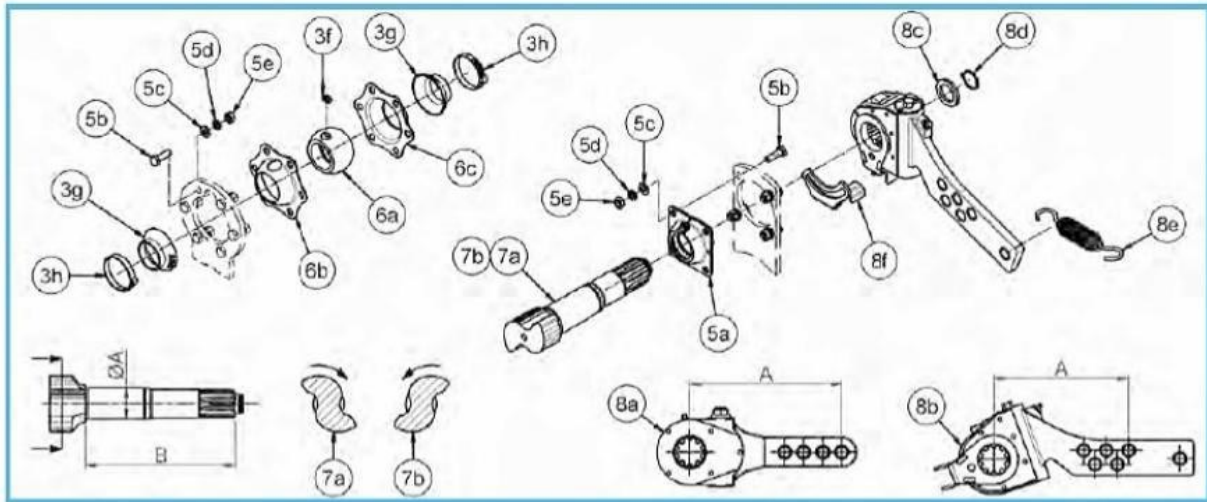
290mm

6.2 MODELL ST 90-115 (75, 85 & 90) – BROMSEDELAR 120mm SQ AXLE 412E BRAKE



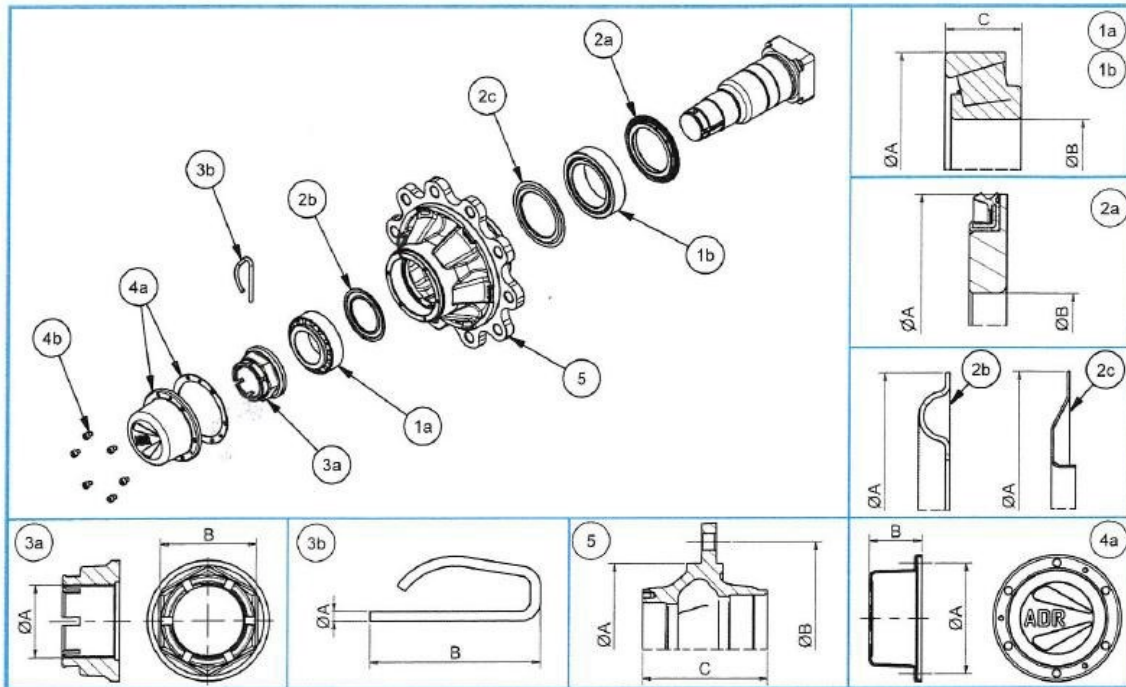
Item	Description	Code	A	B	C	Qty.	Kit code
1a	Brake shoe complete	732VC03	-	-	-	2	F10108/5
2a	Spring Ø5,2 L106	738128	-	-	-	2	
2b	Twist lock	736XC02	-	-	-	1	
2c	Spring Ø3,0 L138	738129	-	-	-	2	
3a	Bush Ø28/32 L40	771008	-	-	-	2	
1b	Brake lining	734VC02	-	-	-	4	F10134
2a	Spring Ø5,2 L106	738128	-	-	-	2	
2b	Twist lock	736XC02	-	-	-	1	
2c	Spring Ø3,0 L138	738129	-	-	-	2	
1c	Rivet	96701	-	-	-	34	F10136
2a	Spring Ø5,2 L106	738128	-	-	-	2	
2b	Twist lock	736XC02	-	-	-	1	
2c	Spring Ø3,0 L138	738129	-	-	-	2	
1d	Roll Ø32	73BVC01	-	-	-	2	
1e	Spring	738127	-	-	-	2	F10137
3a	Bush Ø28/32 L40	771008	-	-	-	2	
3b	Camshaft bush Ø42	771007	-	-	-	1	
3c	Seal Ø42	5490501	-	-	-	2	
3d	Washer Ø42	73G01	-	-	-	2	
3e	Retaining ring Ø42	58514	-	-	-	1	
3h	Rubber cover	53A09	-	-	-	1	
3g	Clamp	98E01	-	-	-	1	
3h	Grease nipple M8X1,25	98608A1	-	-	-	1	
4a	Protection plate with rubber caps	743WC0002	-	-	-	1	
4b	Square seal	747A242	120	-	-	2	F10143
4c	Spacer L38	57708A2	-	-	-	4	
4d	Nut M8X1,25	97708A1	-	-	-	4	

6.3 MODELL ST 90-115 (75, 85 & 90) – BROMSSPAKDELAR 120mm SQ 412E BRAKE



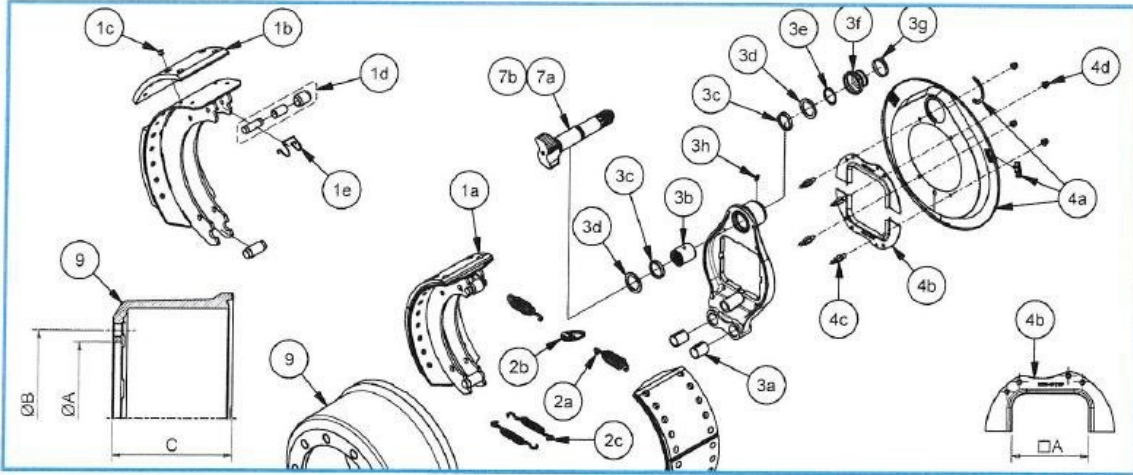
Item	Description	Code	A	B	C	Qty.	Kit code
5a	Camshaft bush assembled	74417U01	-	-	-	1	F10139
5b	Screw M8X1,25 L25	96108A0251	-	-	-	4	
5c	Washer Ø8	9810081	-	-	-	4	
5d	Elastic washer Ø8	9830081	-	-	-	4	
5e	Nut M8X1,25	97108A1	-	-	-	4	
6a	Camshaft bush Ø39	772007	-	-	-	1	N/A
6b	Casing	7480401	-	-	-	1	
6c	Casing	7480402	-	-	-	1	
6d	Rubber cover	56A10	-	-	-	2	
3g	Clamp	98E01	-	-	-	2	
3h	Grease nipple M8X1,25	98608A1	-	-	-	1	
5b	Screw M8X1,25 L25	96108A0251	-	-	-	6	
5c	Washer Ø8	9810081	-	-	-	6	
5d	Elastic washer Ø8	9830081	-	-	-	6	
5e	Nut M8X1,25	97108A1	-	-	-	6	
7a	Right camshaft	75P4063...	42	(1) >300	-	1	75P4063..008
7b	Left camshaft	75Q4063...	42	(1) >300	-	1	75Q4063..008
8a	Slack adjuster	7621603	203	-	-	1	F10315
8c	Washer Ø26	9812601	-	-	-	1	
8d	Retaining ring Ø25	58508	-	-	-	1	
8e	Spring Ø3,5 L173	738201	-	-	-	1	F10017/3
9	Drum 10 holes for M22X1,5	66LVA1006	280	335	165	1	

6.4 MODELL ST 150 (105 & 105C) – AXEL OCH NAVDELAR 130mm SQ AXLE 412E BRAKE



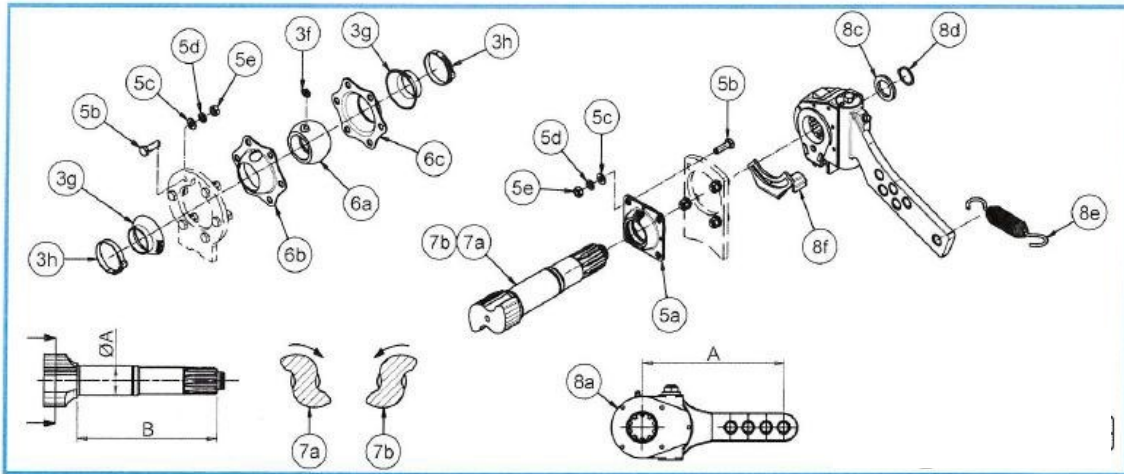
Item	Description	Code	A	B	C	Qty.	Kit code
1a	Bearing 33215	59133215	130	75	41	1	F100490
1b	Bearing 33020	59133020	150	100	39	1	
2a	Oil seal	5441503	150	102	-	1	F10061/3
2b	Nilos 33215	5531191	119	-	-	1	
2c	Nilos 33020	5511501	150	-	-	1	
3a	Crown nut	57570D1	M70X2,0	90	-	2	F10066/2
3b	Spring pin	58207	7	106	-	2	
4a	Cap with gasket	56113018	144	80	-	2	F00606
4b	Screw M8X1,25	96308A0101	-	-	-	12	
5	Hub 10 holes for M22X1,5	61L1VI001	280	335	204	1	F10016/2

6.5 MODELL ST 150 (105 & 105C) – BROMSDELAR 130mm SQ AXLE 412E BRAKE



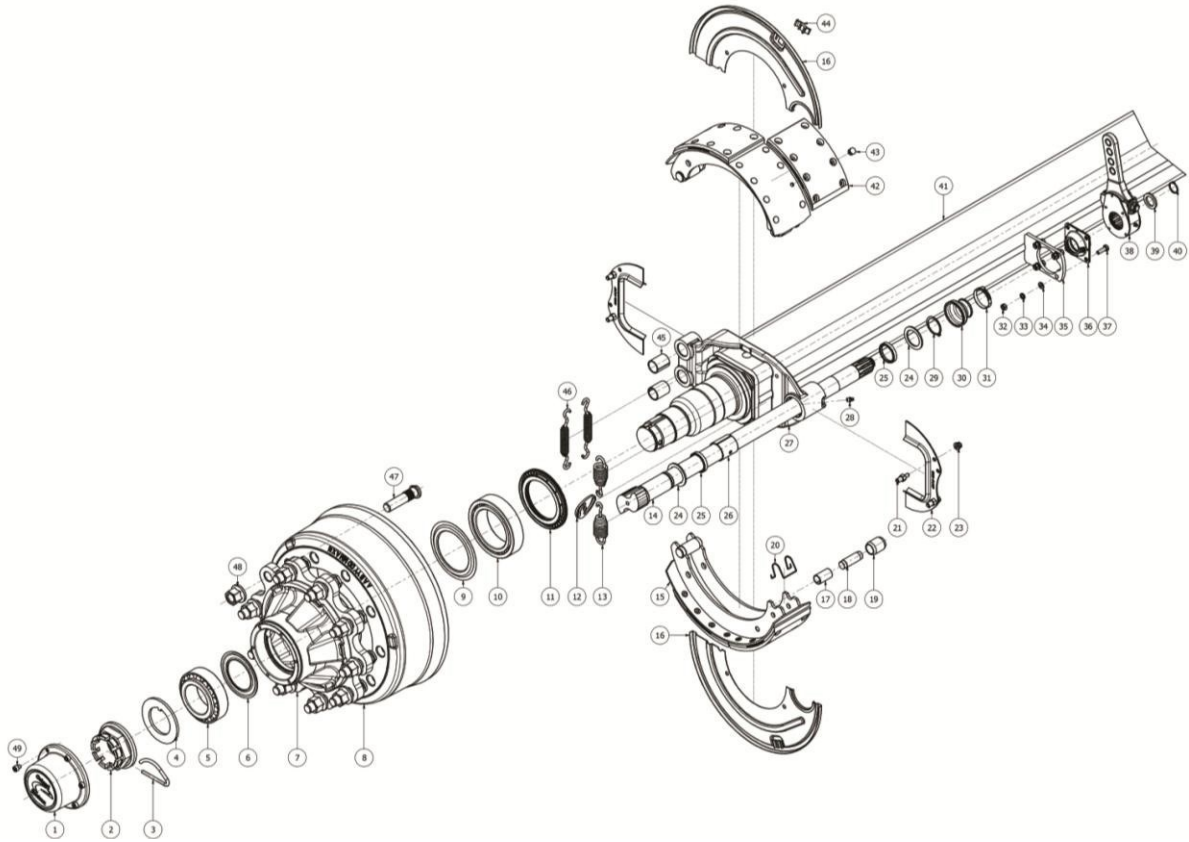
Item	Description	Code	A	B	C	Qty.	Kit code
1a	Brake shoe complete	732VC03	-	-	-	2	F10108/5
2a	Spring Ø5,2 L106	738128	-	-	-	2	
2b	Twist lock	736XC02	-	-	-	1	
2c	Spring Ø3,0 L138	738129	-	-	-	2	
3a	Bush Ø28/32 L40	771008	-	-	-	2	
1b	Brake lining	734VC02	-	-	-	4	F10134
2a	Spring Ø5,2 L106	738128	-	-	-	2	
2b	Twist lock	736XC02	-	-	-	1	
2c	Spring Ø3,0 L138	738129	-	-	-	2	F00557/5
1c	Rivet	96701	-	-	-	34	
2a	Spring Ø5,2 L106	738128	-	-	-	2	
2b	Twist lock	736XC02	-	-	-	1	
2c	Spring Ø3,0 L138	738129	-	-	-	2	
1d	Roll Ø32	73BVC01	-	-	-	2	F10136
1e	Spring	738127	-	-	-	2	
3a	Bush Ø28/32 L40	771008	-	-	-	2	F10137
3b	Camshaft bush Ø42	771007	-	-	-	1	
3c	Seal Ø42	5490501	-	-	-	2	
3d	Washer Ø42	73G01	-	-	-	2	
3e	Retaining ring Ø42	58514	-	-	-	1	
3h	Rubber cover	53A09	-	-	-	1	
3g	Clamp	98E01	-	-	-	1	
3h	Grease nipple M8X1,25	98608A1	-	-	-	1	
4a	Protection plate with rubber caps	743WC0002	-	-	-	1	F10144
4b	Square seal	747A112	110	-	-	2	
4c	Spacer L38	57708A2	-	-	-	4	
4d	Nut M8X1,25	97708A1	-	-	-	4	
4a	Protection plate with rubber caps	743WC0002	-	-	-	1	F10143
4b	Square seal	747A242	120	-	-	2	
4c	Spacer L38	57708A2	-	-	-	4	
4d	Nut M8X1,25	97708A1	-	-	-	4	
4a	Protection plate with rubber caps	743WC0002	-	-	-	1	F10142
4b	Square seal	747A342	130	-	-	2	
4c	Spacer L38	57708A2	-	-	-	4	
4d	Nut M8X1,25	97708A1	-	-	-	4	
4a	Protection plate with rubber caps	743WC0002	-	-	-	1	F10138
4b	Square seal	747A542	150	-	-	2	
4c	Spacer L38	57708A2	-	-	-	4	
4d	Nut M8X1,25	97708A1	-	-	-	4	

6.6 MODELL ST 150 (105 & 105C) – BROMSSPAKDELAR 130mm SQ 412E BRAKE



Item	Description	Code	A	B	C	Qty.	Kit code
4a + 4b	Protection plate with rubber caps	743WCR222	Ø127	-	-	1	
4c	Spacer L38	57708A2	-	-	-	4	N/A
4d	Nut M8X1,25	97708A1	-	-	-	4	
5a	Camshaft bush assembled	74417U01	-	-	-	1	
5b	Screw M8X1,25 L25	96108A0251	-	-	-	4	F10139
5c	Washer Ø8	9810081	-	-	-	4	
5d	Elastic washer Ø8	9830081	-	-	-	4	
5e	Nut M8X1,25	97108A1	-	-	-	4	
6a	Camshaft bush Ø39	772007	-	-	-	1	
6b	Casing	7480401	-	-	-	1	
6c	Casing	7480402	-	-	-	1	
6d	Rubber cover	56A10	-	-	-	2	
3g	Clamp	98E01	-	-	-	2	N/A
3h	Grease nipple M8X1,25	98608A1	-	-	-	1	
5b	Screw M8X1,25 L25	96108A0251	-	-	-	6	
5c	Washer Ø8	9810081	-	-	-	6	
5d	Elastic washer Ø8	9830081	-	-	-	6	
5e	Nut M8X1,25	97108A1	-	-	-	6	
7a	Right camshaft	75P4062...	42	(1) ≤300	-	1	
	Right camshaft	75P4063...	42	(1) >300	-	1	
7b	Left camshaft	75Q4062...	42	(1) ≤300	-	1	N/A
	Left camshaft	75Q4063...	42	(1) >300	-	1	
8a	Slack adjuster	7621603	203	-	-	1	
8c	Washer Ø26	9812601	-	-	-	1	F10315
8d	Retaining ring Ø25	58508	-	-	-	1	
8e	Spring Ø3,5 L173	738201	-	-	-	1	
8b	Automatic slack adjuster	7631600	180	-	-	1	
8c	Washer Ø26	9812601	-	-	-	1	
8d	Retaining ring Ø25	58508	-	-	-	1	
8e	Spring Ø2,8 L145	738203	-	-	-	1	N/A
8f	Setting plate	76A02	-	-	-	1	
5c	Washer Ø8	9810081	-	-	-	2	
5d	Elastic washer Ø8	9830081	-	-	-	2	
5e	Nut M8X1,25	97108A1	-	-	-	2	
9	Drum 10 holes for M22X1,5	66LVA1006	280	335	165	1	F10017/8
	Drum 10 holes for M22X1,5	66LVA1008	290	335	165	1	F10017/3

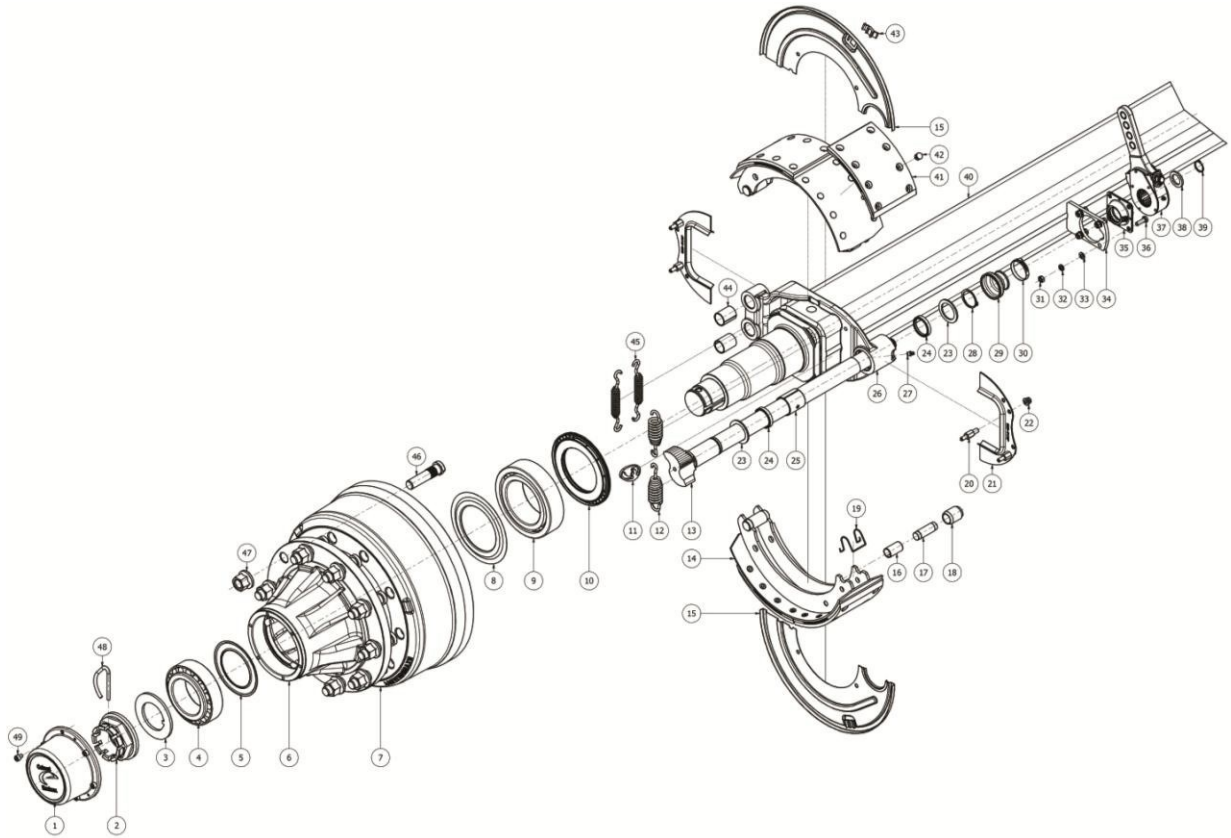
6.7 MODELL ST 165 (120) – AXEL EBB 150 VF 412E PARTS



6.7 MODELL ST 165 (120) - AXEL EBB 150 VF 412E

<u>KEY</u>	<u>QTY</u>	<u>PART No.</u>	<u>DESCRIPTION</u>	<u>KEY</u>	<u>QTY</u>	<u>PART No.</u>	<u>DESCRIPTION</u>
5	1	F10049D	BEARING KIT	17	2	F10136	SHOE ROLLER KIT
10	1			18	2		
6	1	F10061/3	GREASE SEAL KIT	19	2		
9	1			20	2		
11	1			24	2		
2	2	F10066/2	CASTLE NUT KIT	25	2	F10137	CAM SHAFT BUSH KIT
3	2			26	1		
4	2			28	1		
1	2	F00606	HUB CAP KIT	29	1		
49	12			30	1		
47	10	F00546	STUD KIT	31	1		
48	10	F00547	NUT KIT	45	2		
12	1	F10108/5	BRAKE SHOE KIT	16	1	F10138	BACK PLATE KIT
13	2			21	4		
15	2			22	2		
45	2			23	4		
46	2			44	2		
12	1	F10134	BRAKE SHOE LINING KIT	32	4	F10139	CAM SHAFT SUPPORT KIT
13	2			33	4		
42	4			34	4		
43	34			36	1		
46	2			37	4		
12	1	F00557/5	SPRING KIT	7	2	F10016/2	HUB KEY
13	2			8	2	F10017/8	DRUM KEY
46	4			14	2	F10315	SLACK ADJ KEY

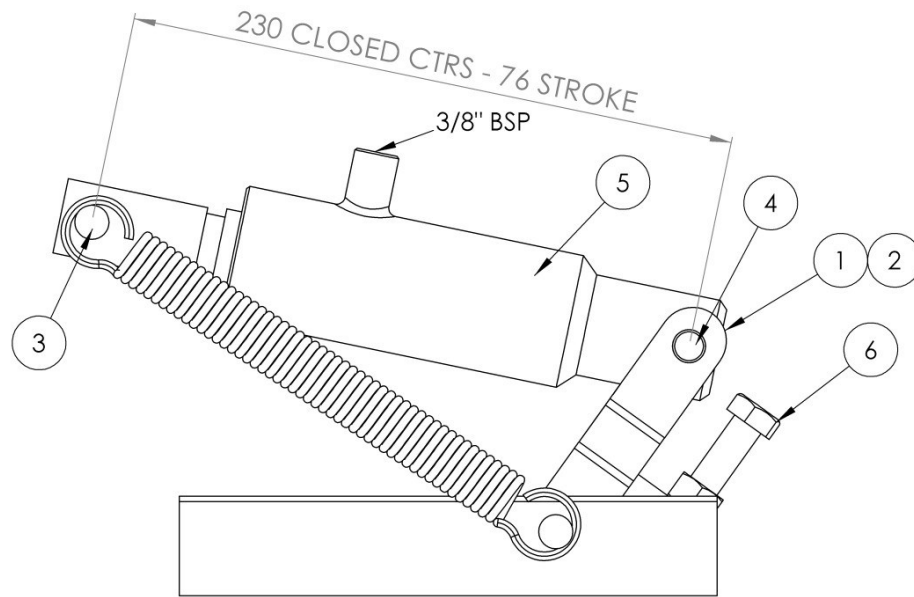
6.8 MODELL ST 185 (150) - AXEL EBB 150 VF 414E



6.8 MODELL ST 185 (150) - AXEL EBB 150 VF 414E

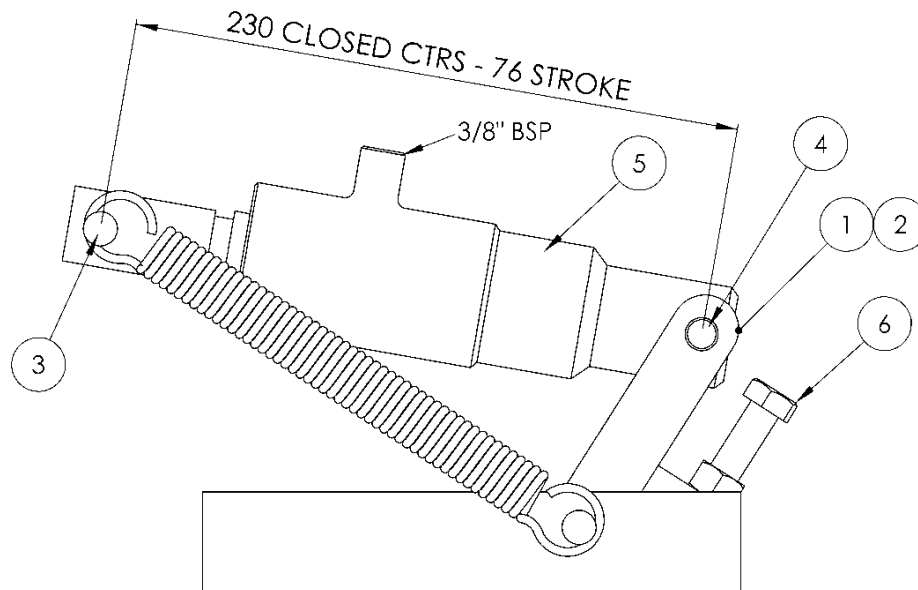
KEY	QTY	PART No.	DESCRIPTION	KEY	QTY	PART No.	DESCRIPTION
4	1	F10049D	BEARING KIT	16	2	F10136	SHOE ROLLER KIT
9	1			17	2		
5	1	F10061/3	GREASE SEAL KIT	18	2		
8	1			19	2		
10	1			23	2		
2	2	F10066/2	CASTLE NUT KIT	24	2	F10137	CAM SHAFT BUSH KIT
3	2			25	1		
48	2			27	1		
1	2	F00606	HUB CAP KIT	28	1		
49	12			29	1		
46	10	F00546	STUD KIT	30	1		
47	10	F00547	NUT KIT	44	2		
11	1	F10108/6	BRAKE SHOE KIT	15	1	F10141	BACK PLATE KIT
12	2			20	4		
14	2			21	2		
44	2			22	4		
45	2			43	2		
11	1	F10140	BRAKE SHOE LINING KIT	31	4	F10139	CAM SHAFT SUPPORT KIT
12	2			32	4		
41	4			33	4		
42	34			35	1		
45	2			36	4		
11	1	F00557/5	SPRING KIT	6	2	F10016/3	HUB KEY
12	2			7	2	F10017/9	DRUM KEY
45	4			37	2	F10315	SLACK ADJ KEY

6.9 HYDRAULISK BROMSKOLV – ST 90 (MK4 75) 30mm BORE – 70830.2



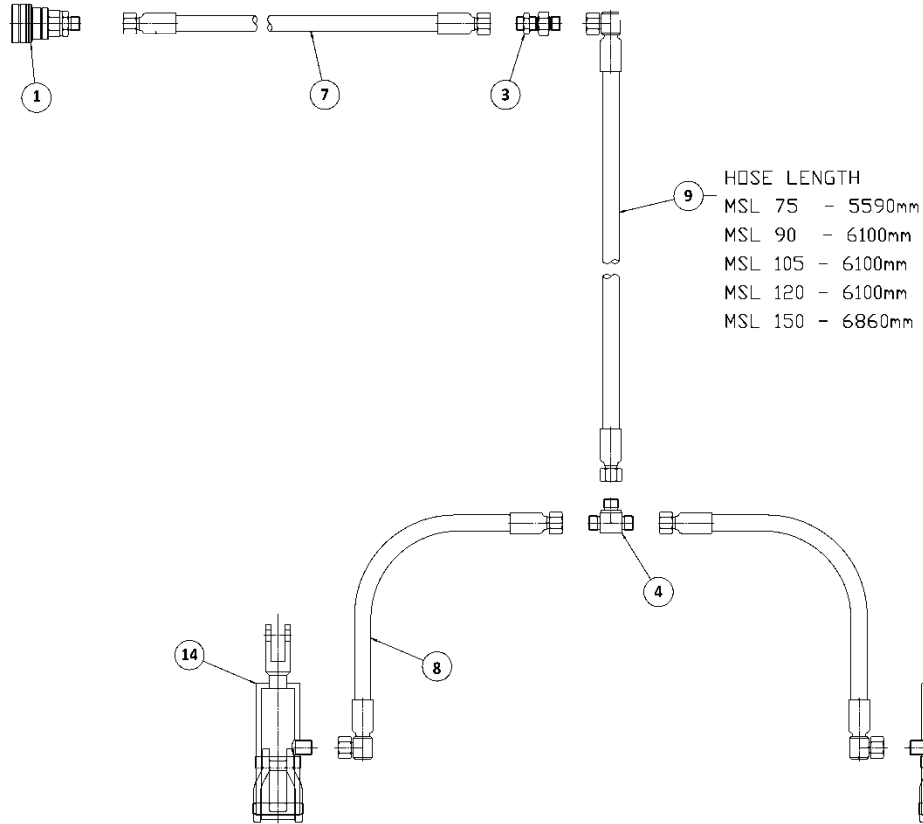
<u>KEY</u>	<u>QTY</u>	<u>PART No.</u>	<u>DESCRIPTION</u>
1	2	70830/2	RAM ASSEMBLY
2	2	70831/2	SEAL KIT
3	2	70830/4	SPRING & PIN KIT
4	2	70836	SELLOCK PIN
5	2	70835/2	CYLINDER
6	2	70834	ADJUSTER

**6.10 HYDRAULISK BROMSKOLV – ST 100-185 (MK4 85-150).
35mm BORE – 70830.3**



<u>KEY</u>	<u>QTY</u>	<u>PART No.</u>	<u>DESCRIPTION</u>
1	2	70830/3	RAM ASSEMBLY
2	2	70831/3	SEAL KIT
3	2	70830/4	SPRING & PIN KIT
4	2	70836	SELLOCK PIN
5	2	70835/3	CYLINDER
6	2	70834	ADJUSTER

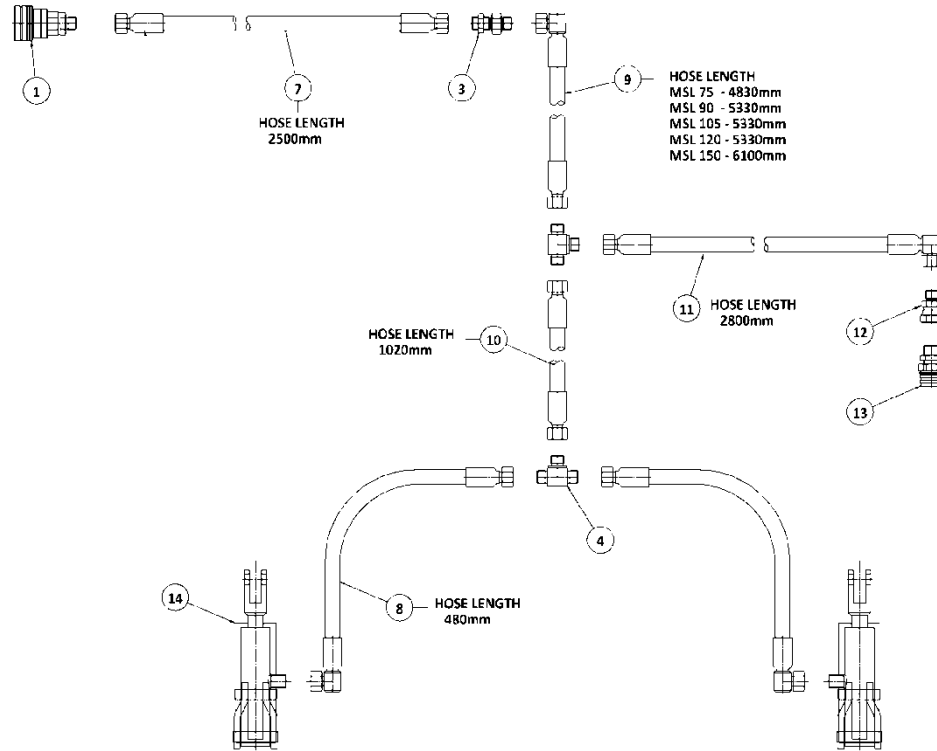
6.11 HYDRAULISKT BROMSSCHEMA – ENKEL AXEL



KEY	QTY	PART No.	DESCRIPTION
1	1	51568	COUPLING 3/8 FEMALE SELF SEAL
3	1	51463	3/8"-3/8" NPT BULKHEAD
4	2	51447	3/8"-3/8"-3/8" NPT MALE TEE
7	1	B4462	INTER-CONNECTING HOSE
8	2	B4454	AXLE HOSE
9	1	B4458	LONG HOSE
14	REF		BRAKE ACTUATOR HYDRAULIC

Note: 75 and 105C are the same and so are the 90,105 & 150C and the 85 & 90.

6.12 HYDRAULISKT BROMSSCHEMA & DRAG BAK

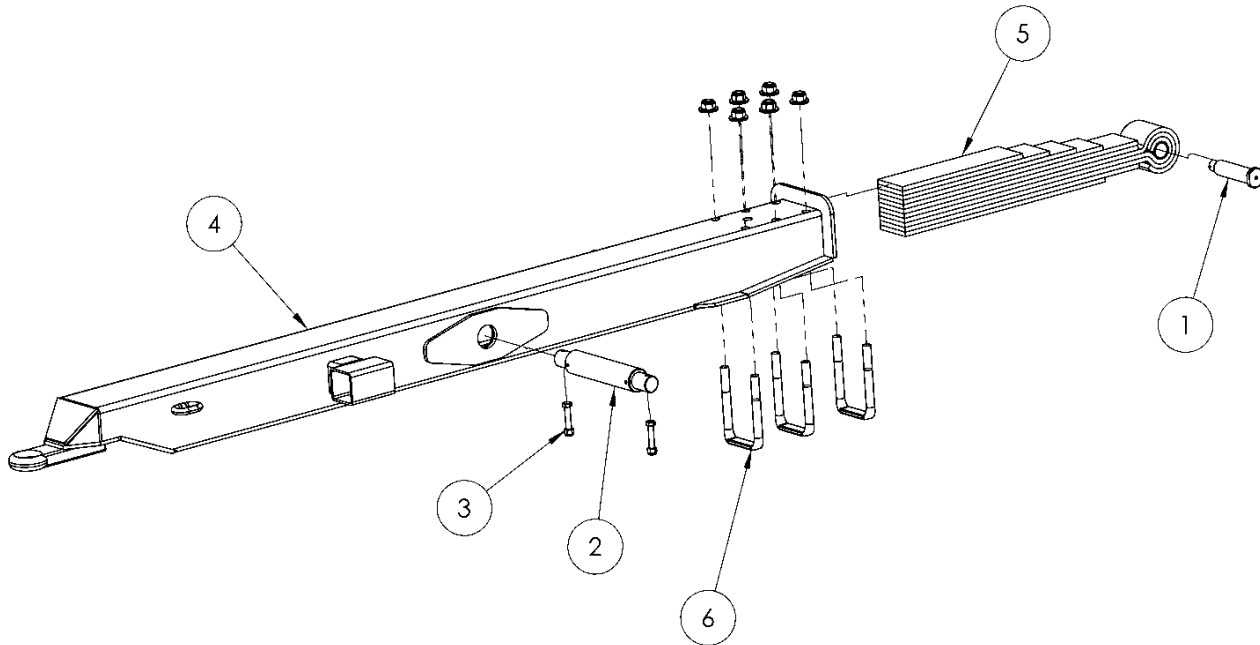


KEY	QTY	PART No.	DESCRIPTION
1	1	51568	COUPLING 3/8 FEMALE SELF SEAL
3	1	51463	3/8"-3/8" NPT BULHKHEAD
4	2	51447	3/8"-3/8"-3/8" NPT MALE TEE
7	1	B4462	INTER-CONNECTING HOSE
8	2	B4454	AXLE HOSE
9	1	B4458	LONG HOSE
10	1		HOSE DIA3/8" BORE 2 WIRE x 1020
11	1		HOSE DIA3/8" BORE 2 WIRE x 2800
12	1	51644	ADAPTOR 3/8" MALE-M20x1.5 FEM
13	1	51569	COUPLING 3/8 MALE SELF SEAL
14	REF		BRAKE ACTUATOR HYDRAULIC

Note: 75 and 105C are the same and so are the 85,90,105 & 150C.

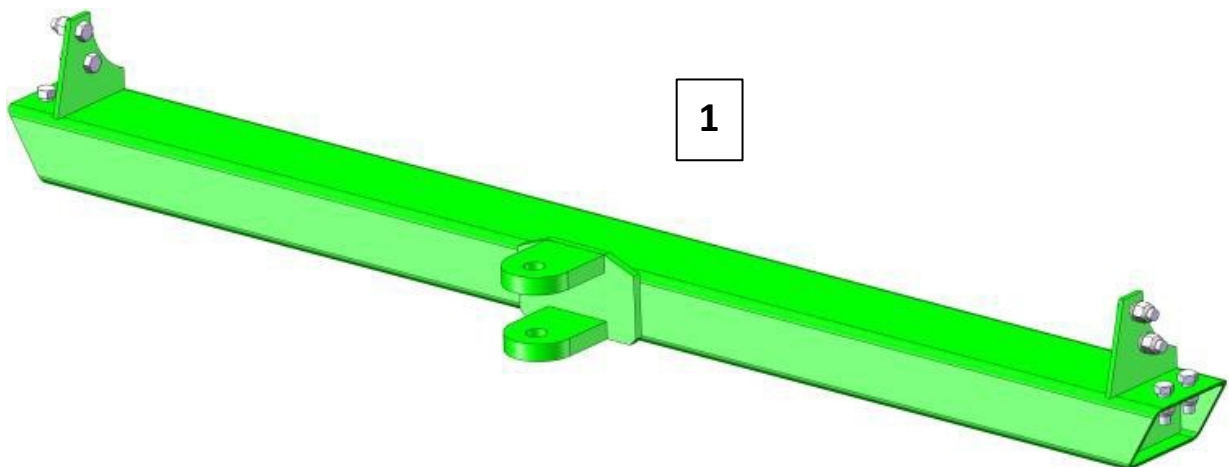
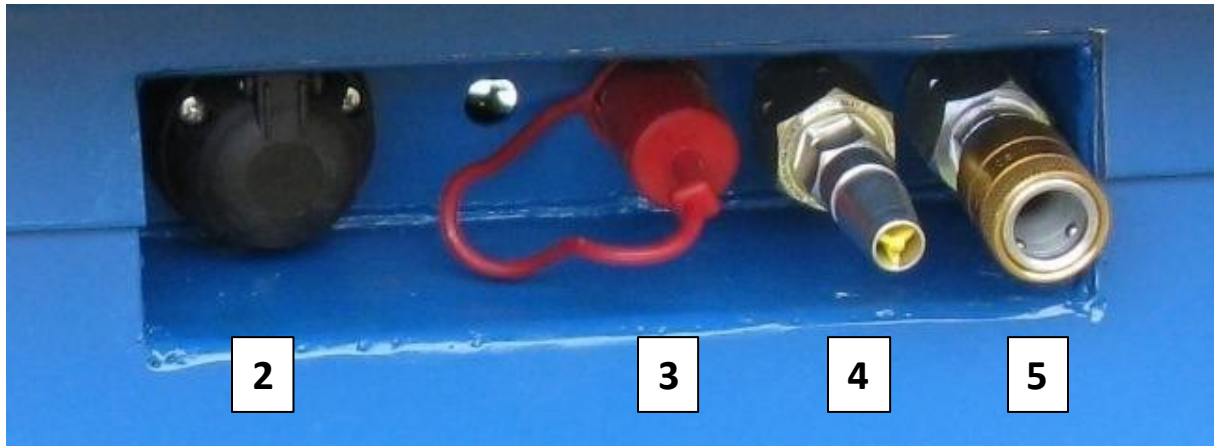
9. TILLBEHÖR

9.1 FJÄDRANDE DRAG – TILLBEHÖR



<u>KEY</u>	<u>QTY</u>	<u>PART No.</u>	<u>DESCRIPTION</u>
1	1	70440	GUDGEON PIN & NUT
2	2	70442/2	PIVOT PIN
3	1	73102	NUT & BOLT M16
4	1	N/A	DRAWBAR TO SUIT MODEL
5	2	70438/1	SPRING 13 LEAF
6	3	70439/2	U-BOLT 30mm

9.2 DRAG BAK - TILLBEHÖR

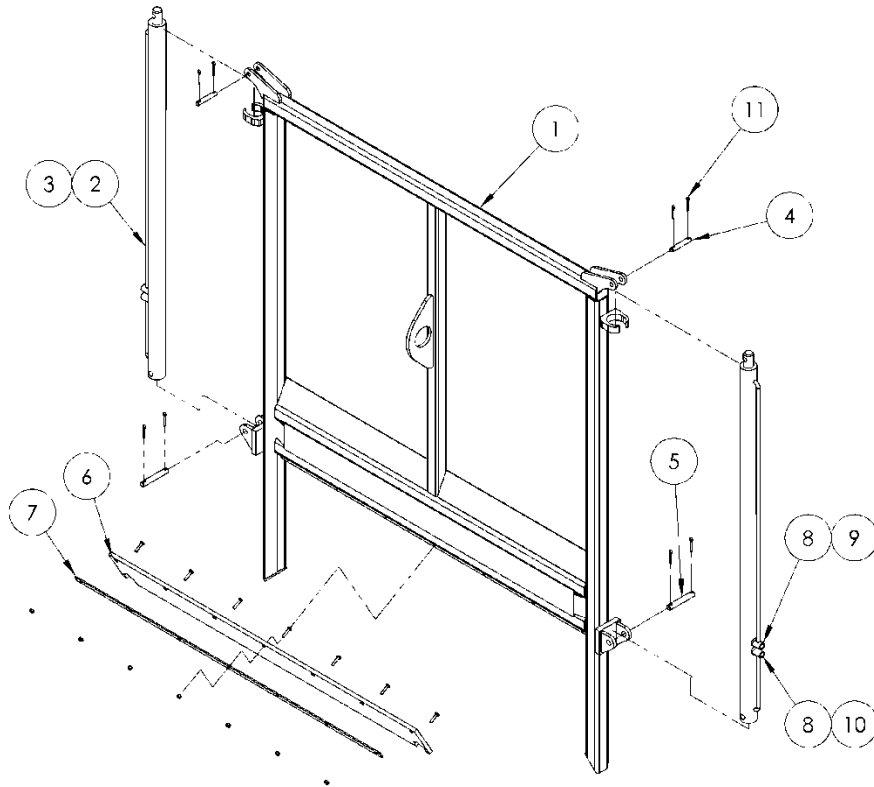


<u>KEY</u>	<u>QTY</u>	<u>PART No.</u>	<u>DESCRIPTION</u>
1	1	B5310	REAR CLEVIS DRAWBAR CROSS MEMBER
2	1	70107	7 PIN LIGHT SOCKET
3	1	51569	HYDRAULIC BRAKE CONNECTION
4	1	CF350932	AIR COUPLING MALE
5	1	CF351543	AIR COUPLING FEMALE

NOTERA:

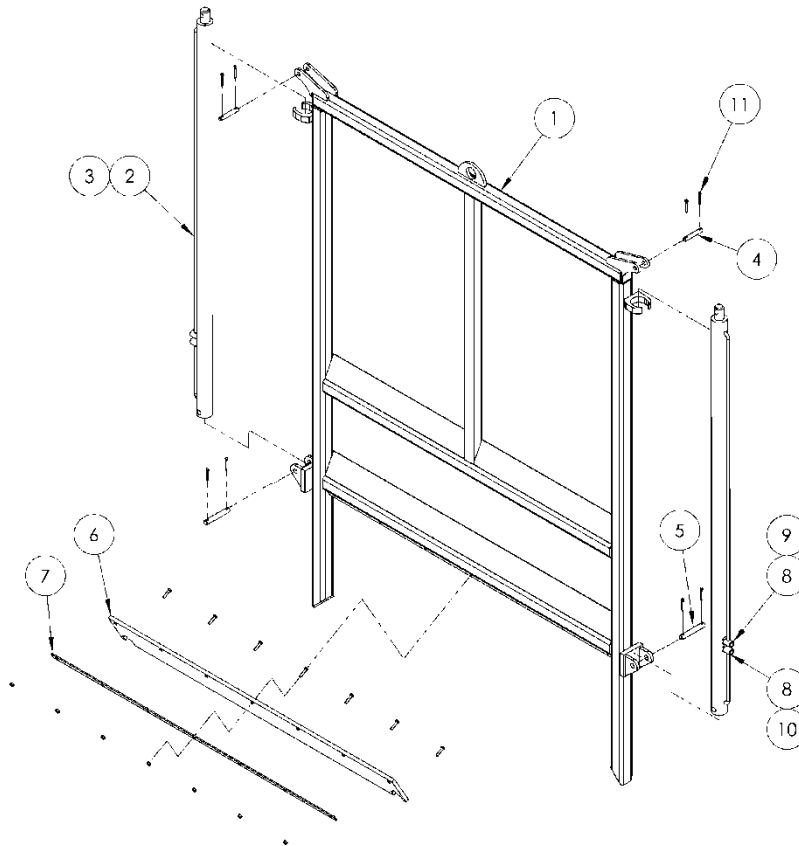
Draget bak är endast för bogsering med tom spridare

9.3 HYDRAULISK GILJOTINDÖRR



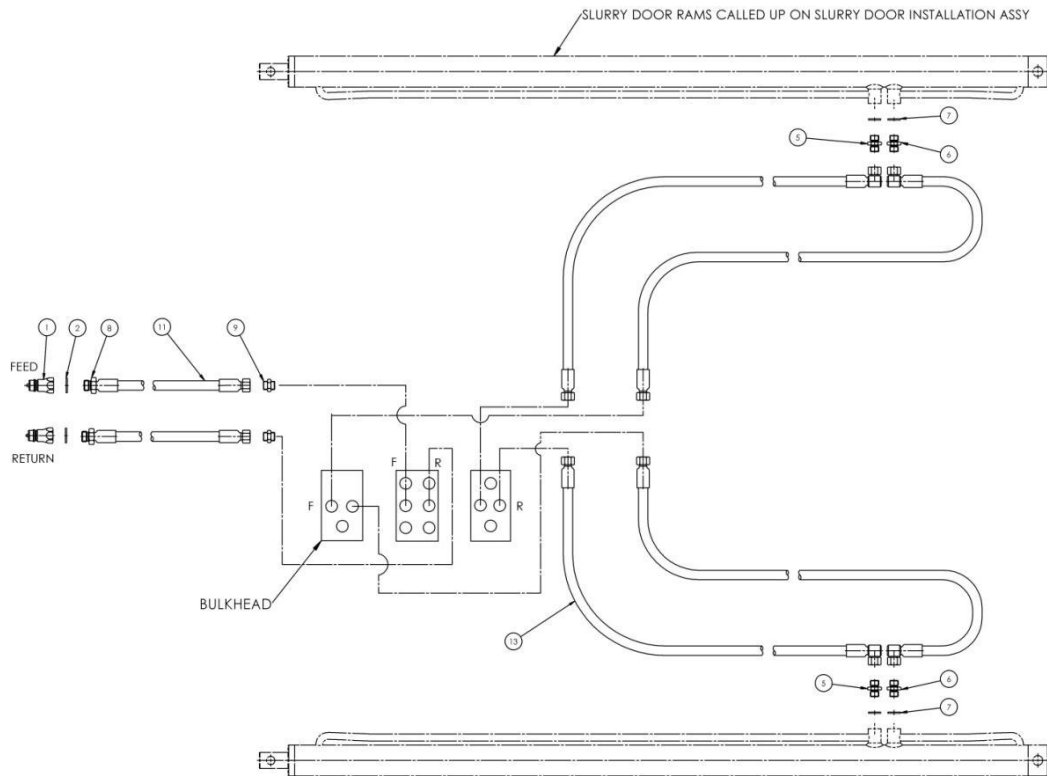
KEY	QTY	PART No.	DESCRIPTION
1	1	B4110	DOOR - 75/90
	1	B4112	DOOR - 105/105C/120/150/150C
	1	B4115	DOOR WITH WB AUGERS
2	2	B4136	50/35 1321 STROKE RAM - 75/90
	2	B4138	50/35 1626 STROKE RAM - 105/105C/120/150
3		65520	SEAL KIT D/A 50x35
4	2	B4130	TOP RAM PIN DIA 5/8"
5	2	B4132	BOTTOM RAM PIN DIA 3/4"
6	1	B4159	RUBBER SEAL
	1	B4184	CLAMPING STRIP & M8 x 35 BOLT C/W S.L NUTS
7	1	B4188	CLAMPING STRIP WITH W.B AUGERS
8	4	51590	3/8" BONDED SEAL
9	2	51335	3/8" M/M ADAPTOR
10	2	10522	3/8" x 1/8" RESTRICTOR
11	8	50988	SPLIT PIN

9.4 HYDRAULISK GILJOTINDÖRR LIGGANDE SPRIDARVALSAR



KEY	QTY	PART No.	DESCRIPTION
1	1	B4113	DOOR - 105/120/150 HB
	2	B4138	RAM
3		65520	SEAL KIT D/A 50x35
4	2	B4130	TOP RAM PIN DIA 5/8"
5	2	B4132	BOTTOM RAM PIN DIA 3/4"
6	1	B4159	RUBBER SEAL
	1	B4166	RUBBER SEAL WITH WB AUGERS
7	1	B4184	CLAMPING STRIP & M8 x 35 BOLT C/W S.L NUTS
8	4	51590	3/8" BONDED SEAL
9	2	51335	3/8" M/M ADAPTOR
10	2	10522	3/8" x 1/8" RESTRICTOR
11	8	50988	SPLIT PIN

9.5 HYDRAULISK GILJOTINDÖRR HYDRAULSCHEMA



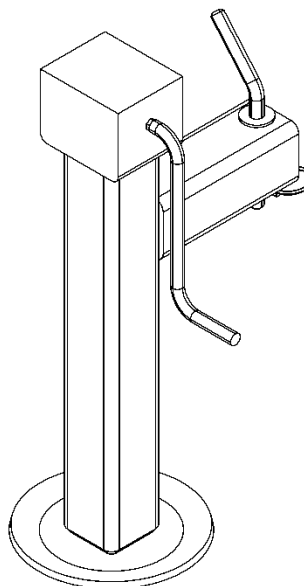
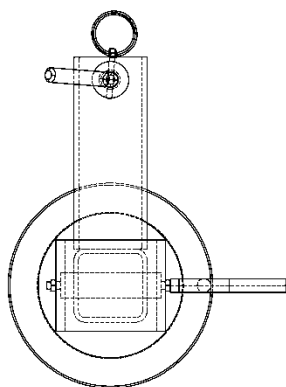
KEY	QTY	PART No.	DESCRIPTION
1	2	51576	1/2" PROBE MALE SELF SEALER
2	2	51591	DIA 1/2" DOWTY WASHER
5	2	51335	3/8"-3/8" BPT NIPPLE
6	2	10522	3/8"-3/8" BPT NIPPLE 1/8" REDUCED
7	4	51590	DIA 3/8" DOWTY WASHER
8	2	52316	HOSE END DIA 3/8-1/2" BPT MALE
9	6	51336	3/8" - 1/2" M/M ADAPTOR
11	2		HOSE 3/8" BORE 2 WIRE x 2500mm
13	2	Model 75	HOSE 3/8" BORE 2 WIRE x 6100mm
13	2	Model 85	HOSE 3/8" BORE 2 WIRE x 6600mm
13	2	Model 90 & 105	HOSE 3/8" BORE 2 WIRE x 7100mm
13	2	Model 120	HOSE 3/8" BORE 2 WIRE x 7670mm
13	2	Model 150	HOSE 3/8" BORE 2 WIRE x 8380mm
14	2		ADAPTOR 1/2" TO 3/8"

Notera: ST 90 och 150C (75 och 105C) är desamma och likadant är det med ST 115 och ST 185C (90 och 150C)

9.6 STÖDBEN

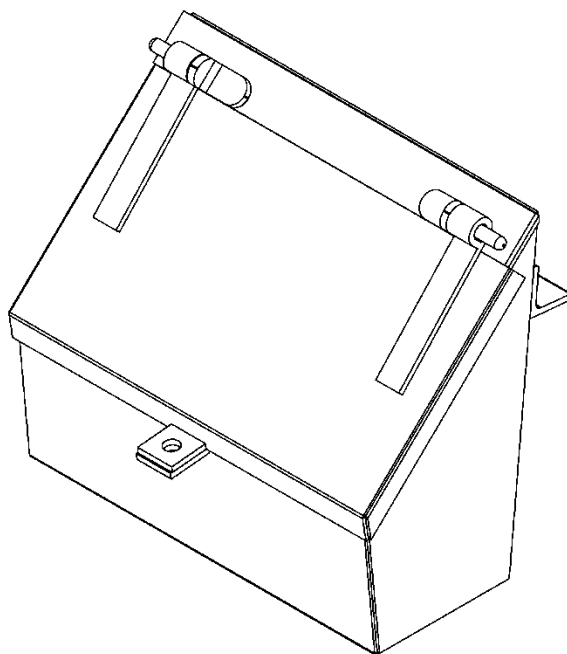
Art. nr. 70307

Använd endast vid tom spridare

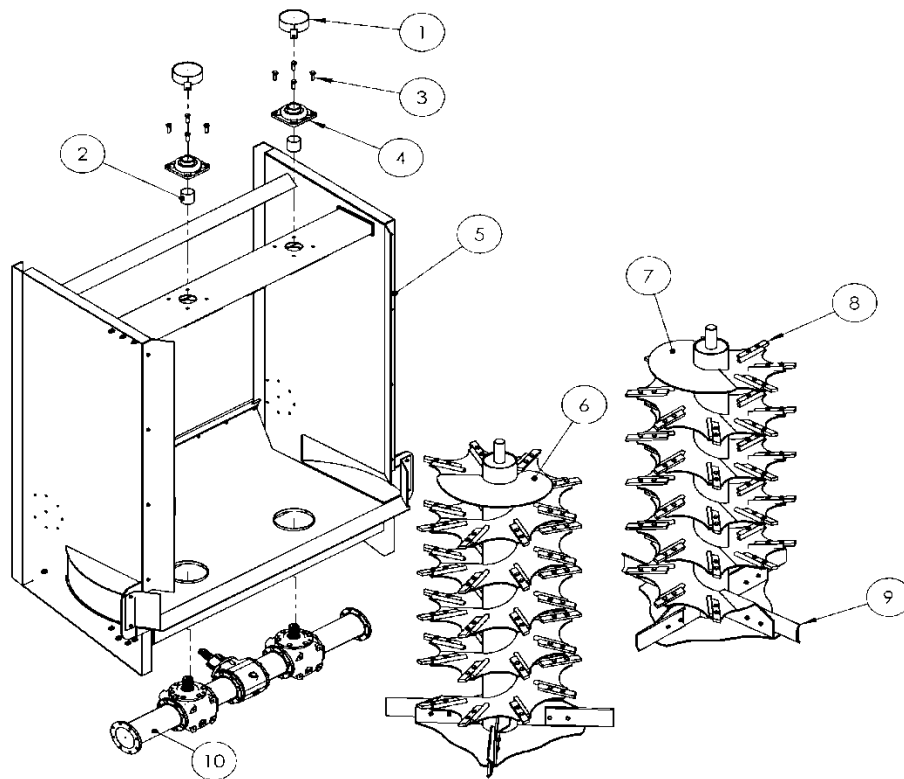


9.7 VERKTYGSLÅDA

Art. nr. 80136

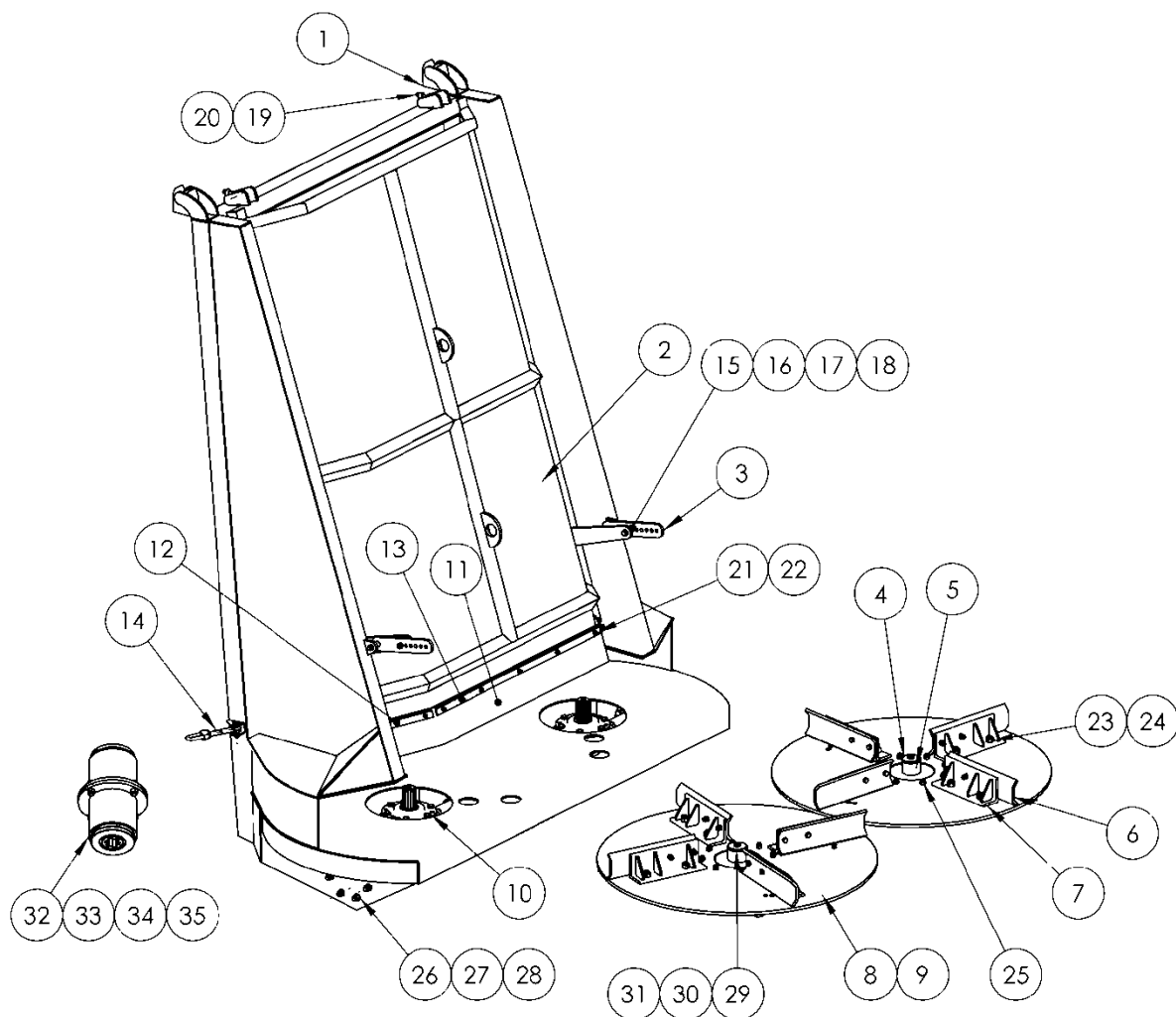


9.8 SLUDGE CAKE OPTION WIDEBODY



KEY	QTY	PART No.	DESCRIPTION
1	2	B1194	BEARING CAP
2	2	B2352	SPACER
3	8	73155&73375	BOLT AND LOCKNUT
4	2	B1180/1	BEARING M60
5	1		SLUDGE CAKE BODY
6	1	B1048	AUGER ASSEMBLY LH
7	1	B1049	AUGER ASSEMBLY RH
8	80	B1101/1	CUTTER POINT BORON
9	8	B1123	AUGER BLADE L.H BORON (6 HOLE)
10	1	B3180	AUGER GEARBOX
	160	B1101/1	BOLT AND LOCKNUT (BOLTS FOR CUTTER)
11	24	B1101/1	BOLTS FOR BLADES

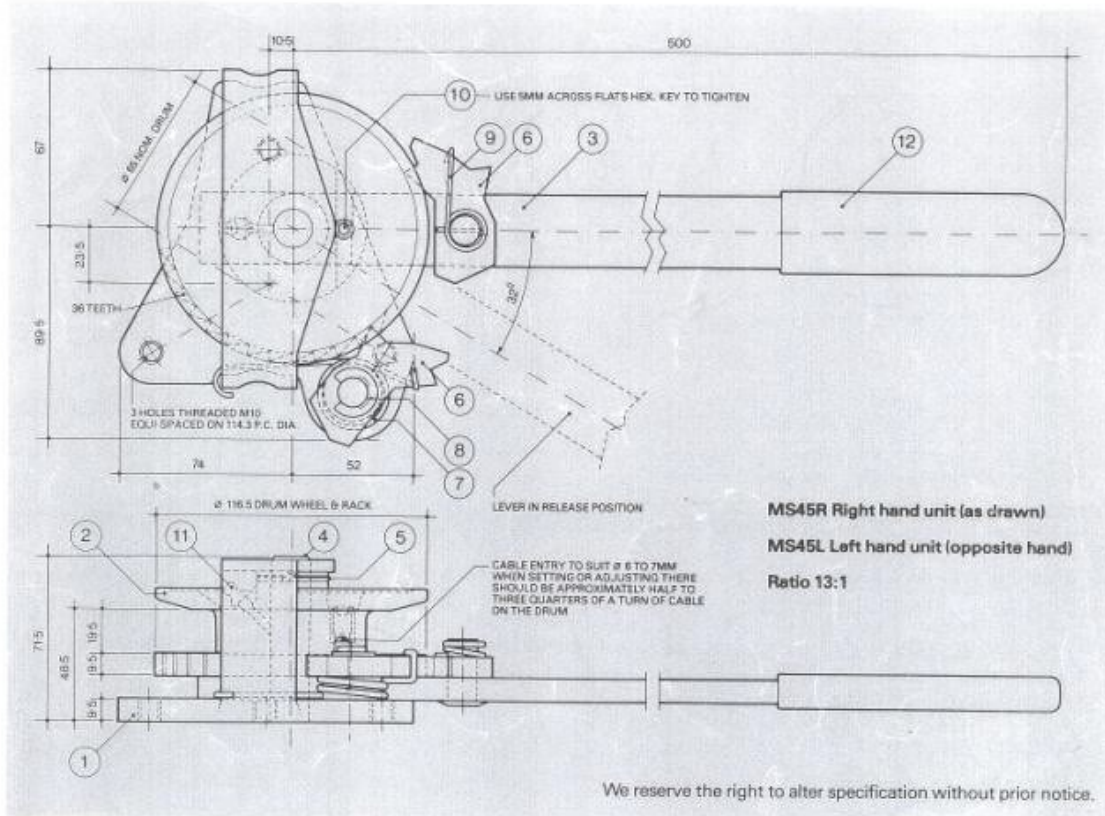
9.9 SPRIDARDÄCK



9.9 SPRIDARDÄCK

<u>KEY</u>	<u>QTY</u>	<u>PART No.</u>	<u>DESCRIPTION</u>
1	2	B8810	BUCKET HOOK
2	1	AMS0142	REAR CANOPY ASSEMBLY
3	3	DMS0889	LINK CANOPY
4	2	DMS0322	END CAP
5	2	AMS0141	MOUNTING FLANGE ASSEMBLY
6	8	B1132	AUGER/SPINNER BLADE
7	4	AMS2109	BLADE HOLDER ASSEMBLY
8	1	B8340	SPINNER DISC LH
9	1	B8342	SPINNER DISC RH
10	1	B3190	BERMA SRT 18/1830 1000/520 3IN1
11	1	DMS0513	RUBBER SKIRT
12	2	DMS0512	CLAMPING STRIP
13	1	DMS0511	CLAMPING STRIP
14	2	A2134	HOOK BOLT
15	4	DMS0072	HINGE TUBE
16	20		M12 LOCK NUT
17	4		M12 WASHER
18	4		M12 BOLT x 70mm
19	2		M10 BOLT x 70mm
20	2		M10 LOCK NUT
21	8		M8 LOCK NUT
22	8		M8 LOCK NUT
23	8		M16 LOCK NUT
24	8		M16 BOLT x 45mm
25	16		M12 BOLTx 50mm
26	16		M14 LOCK NUT
27	16		M14 BOLT x 50
28	16		M14 WASHER
29	2	B8336	DISC DRIVE FLANGE
30	2	B8339	FLANGE CAP
31	2	73698	CAP SCREW
32	1	B8484	FLEXIDRIVE BODY
33	1	B8486	FLEXIDRIVE
34	6	B1142	RUBBER DRIVE BLOCK
35	6	B1142	RUBBER DRIVE BLOCK

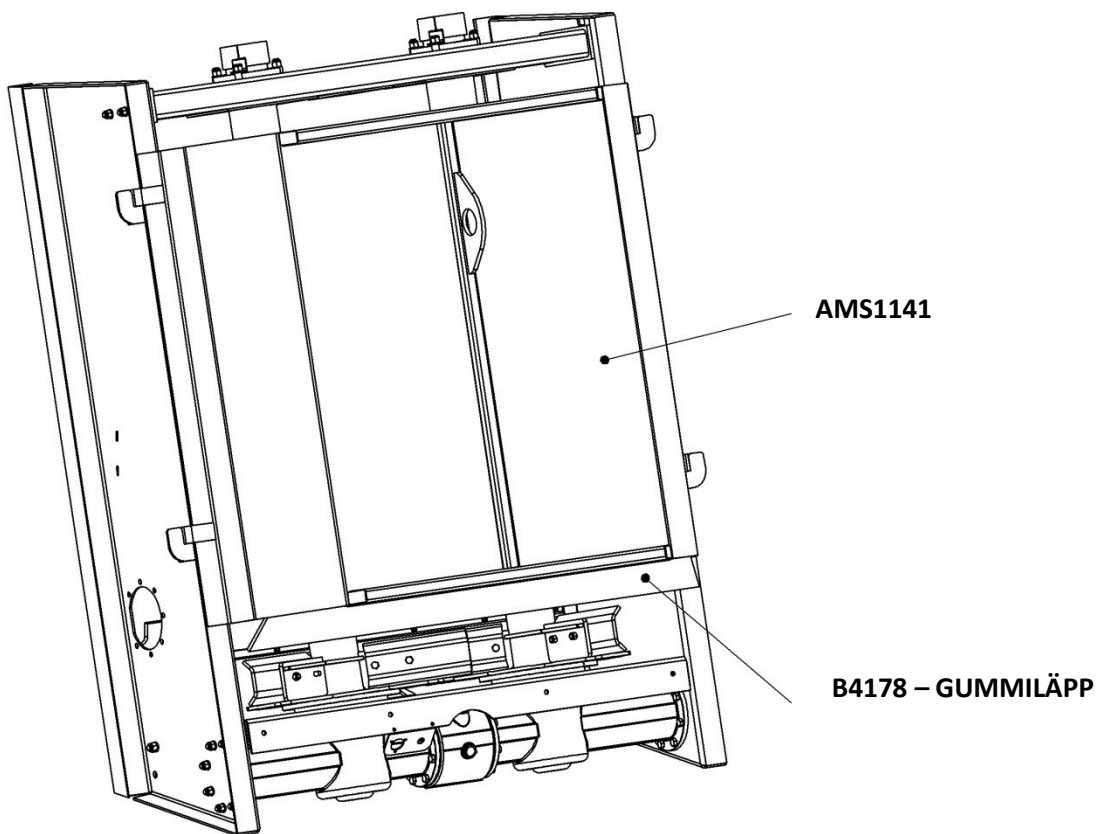
9.10 HANDBROMS MS45 Art. nr. 70321



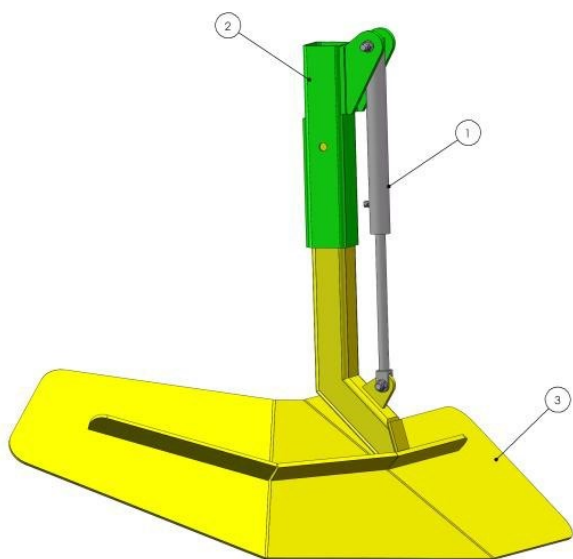
9.11 BODY SEAL RUBBERS

<u>KEY</u>	<u>QTY</u>	<u>PART No.</u>	<u>DESCRIPTION</u>
1	1	B4159	SLURRY DOOR & FRONTWALL MK4
2	1	B4176	AUGER DECK MK4
3	1	B4177	DOUBLE WIPE MK4
4	1	B4166/1	SLURRY DOOR & FRONTWALL WB
5	1	B4126	HORIZONTAL BEATER CANOPY MK4
6	1	B4127	HORIZONTAL TOP WIPE MK4

9.12 PÅHÄNGSLUCKA

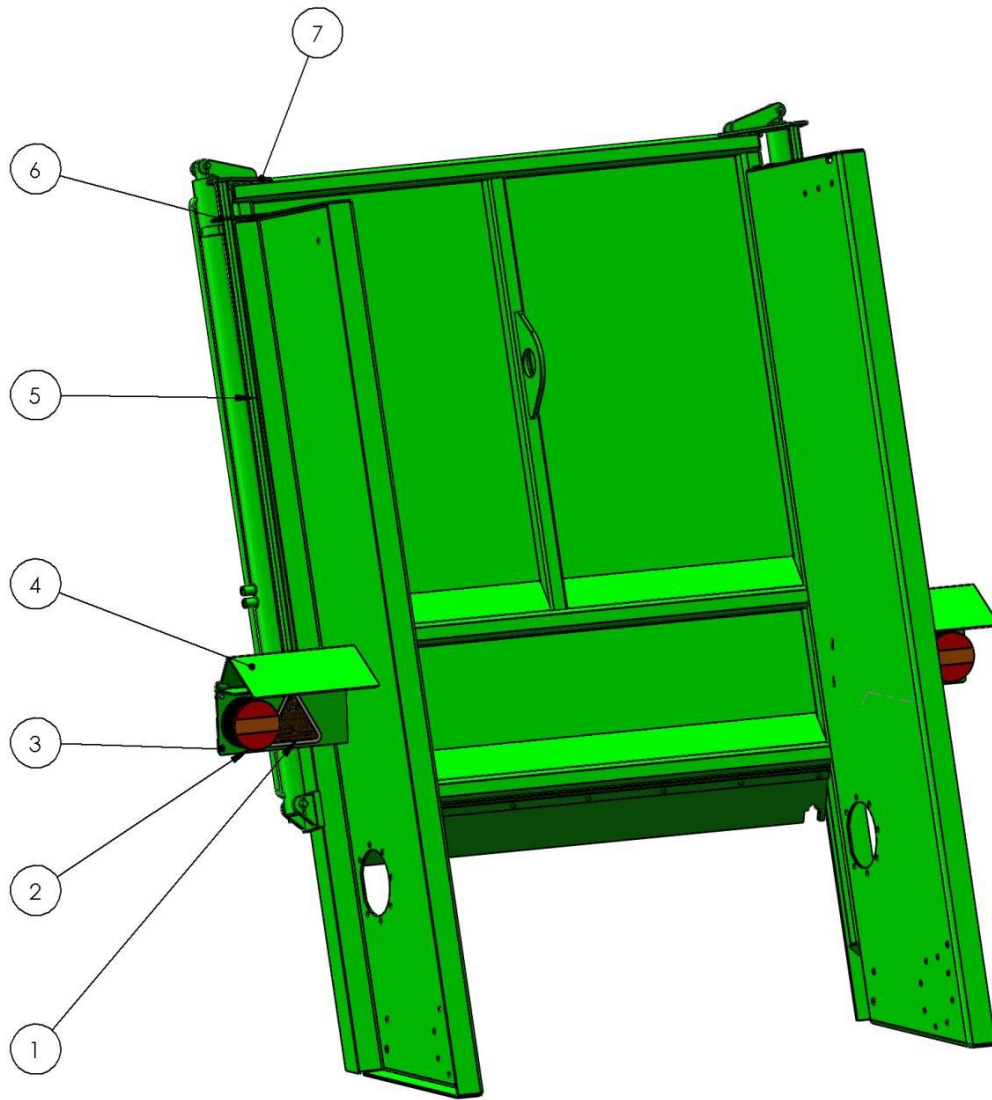


9.13 HYDRAULISK SPRIDARREGLERING



KEY	QTY	PART No.	DESCRIPTION
1	1	65078	RAM DA30 20 255
2	1	B4191	MOUNT BRACKET LH
2	1	B4191/1	MOUNT BRACKET RH
3	1	B4190	DEFLECTOR PLATE LH
3	1	B4190/1	DEFLECTOR PLATE RH
		65505	30/20 SEAL KIT

9.14 BAKLAMPOR



KEY	QTY	PART No.	DESCRIPTION
	1	B5232	AUTO LAMP COVER COMPLETE ASSEMBLY
1	2	70081	TRIANGLE
2	2	70009/3	REAR LAMP
3	2	DMS2256-1/-2	LAMP BRACKET LH / RH
4	2	AMS1336-1/-2	LAMP COVER LH / RH
5	2	DMS2254	POST GUIDE
6	2	DMS225	STRIKER PLATE

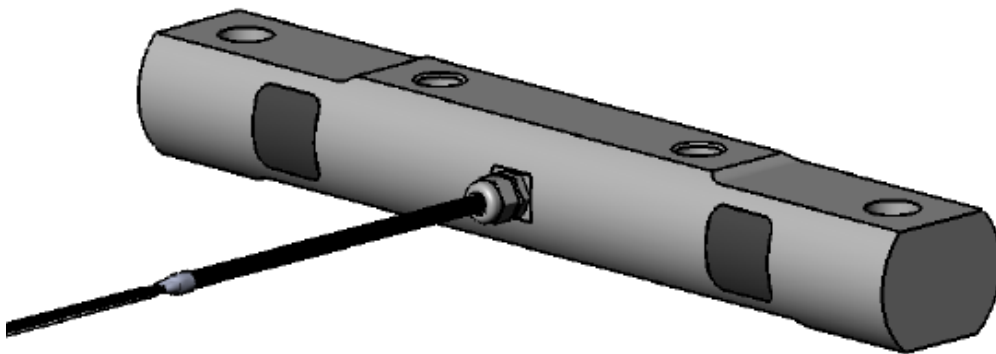
9.15 VÅGCELLER

Vågcell 6.4 meter lead B9071

Vågcell 12.2 meter lead B9072

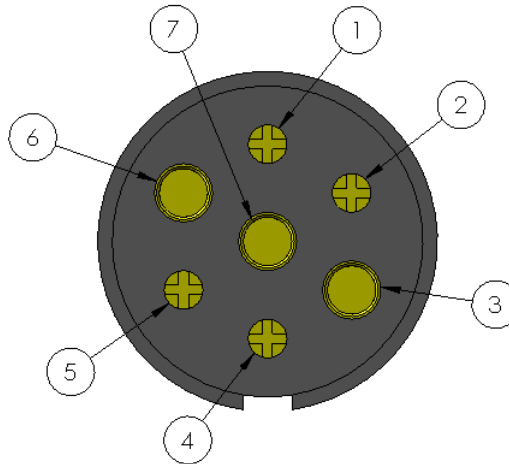
Skrivarenhet B9073

Vågcell kit B9070



10. ELEKTRONIK

10.1 KOPPLINGSSCHEMA FÖR 12v 7 KONTAKT



- 1) GUL –Y– Vänster blinkers
- 2) BLÅ –B– Dimljus
- 3) VIT -W– Jord
- 4) GRÖN – G- Höger blinkers
- 5) BRUN –BR- Släp
- 6) RÖD –R- Bromsljus
- 7) SVART –BL- Sidoljus

Kontakt 5 & 7 kan vara sammankopplade

10.2 BAKLAMPOR – 70009/3 3



10.3 MARKERINGSLAMPAN FRAM - 70154



11. ANTECKNINGAR