

Spare Part List

Michaelis Weed Control Machine KM 12 / KM12 SV



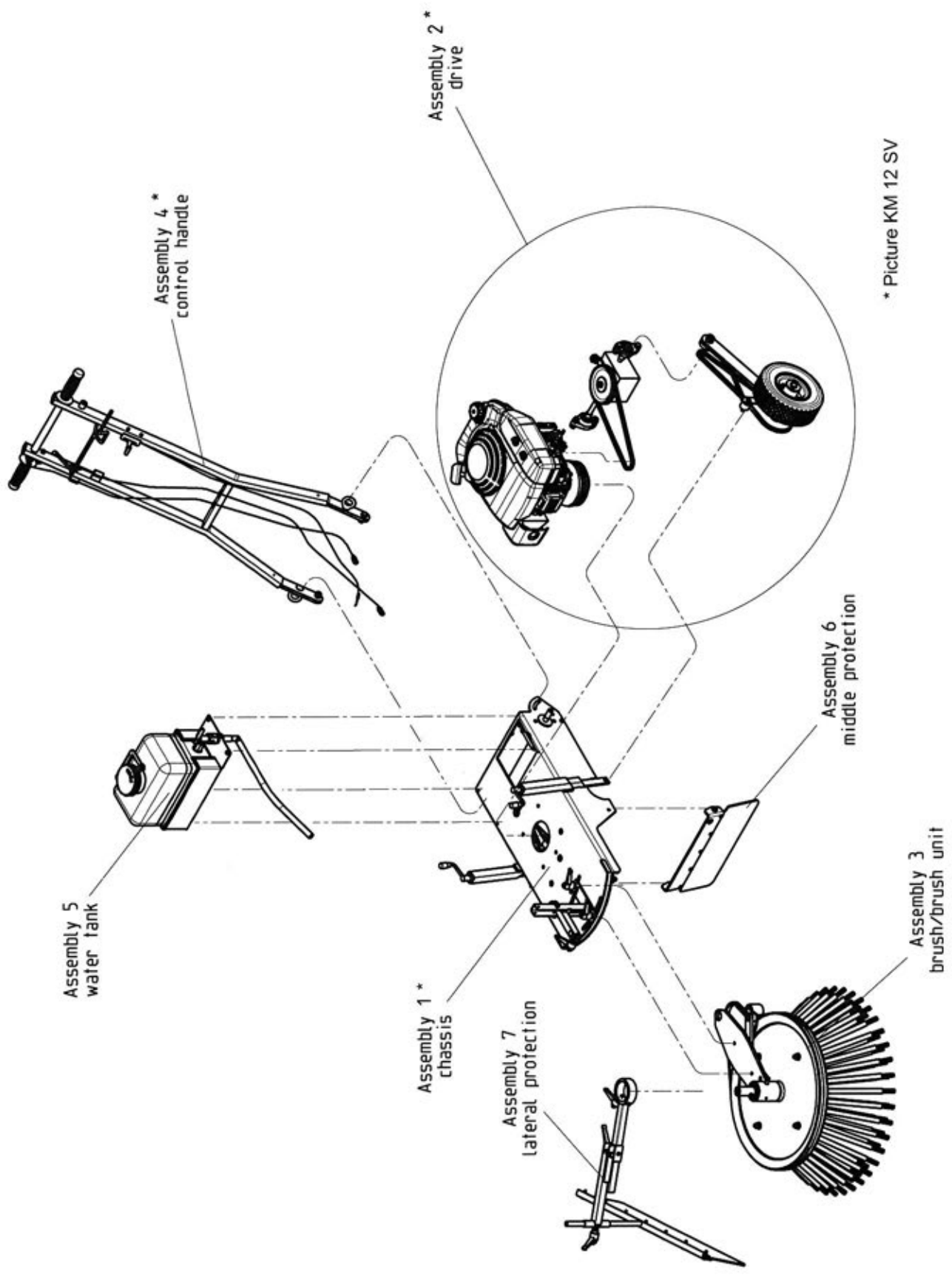
Fabr.-Nr.:-.....



Huxfelder Straße 8
D-28879 Grasberg
www.michaelis-maschinenbau.de

Telefon (0049) 4208 8294-0
Telefax (0049) 4208 506
info@michaelis-maschinenbau.de

Ausgabe 04/2014



* Picture KM 12 SV

Assembly overview KM 12 / KM 12 SV

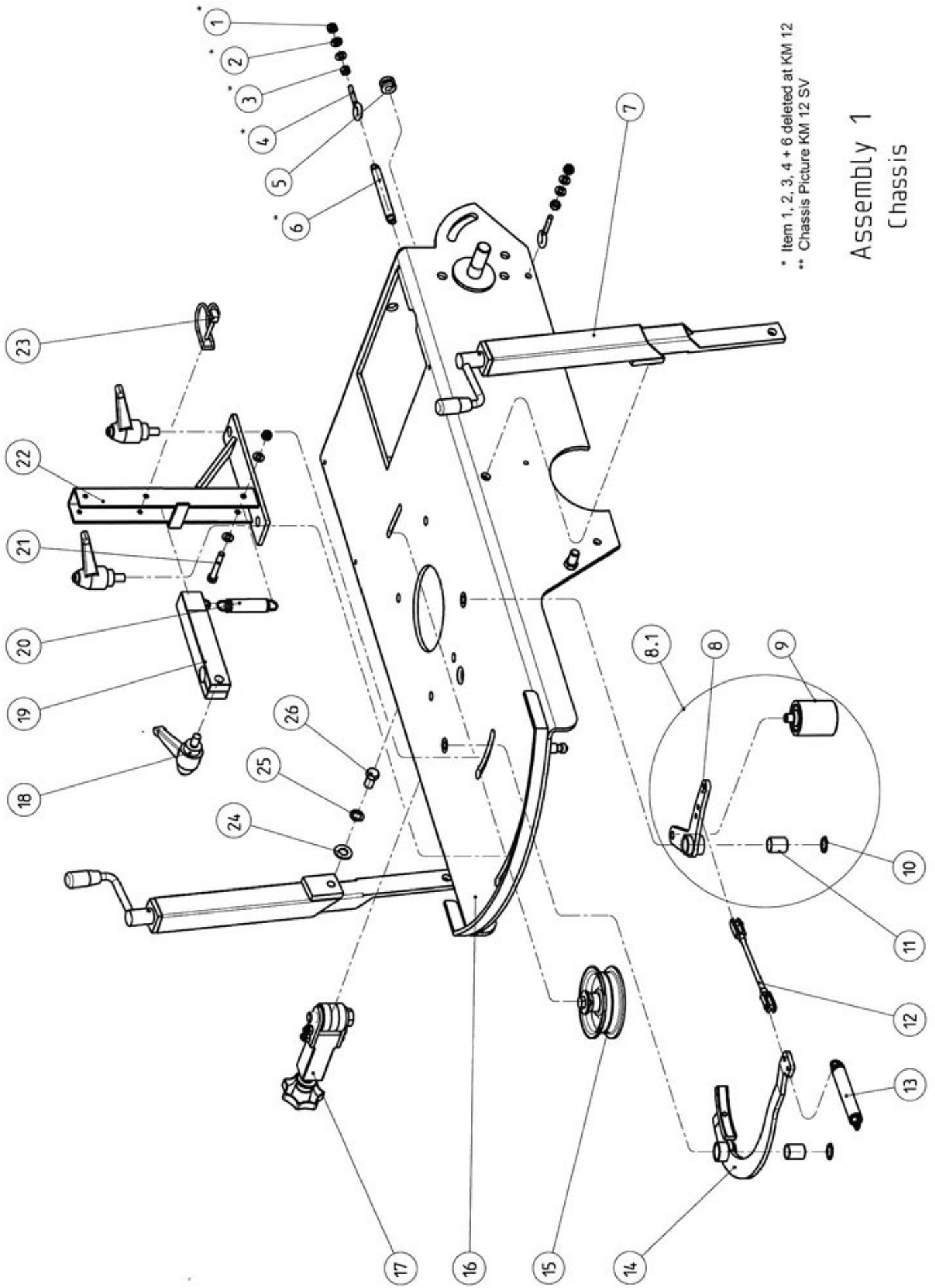


KM 12 / SV Assembly 1 Chassis

Part-Nr.	Piece	Discription		Ordernumber
1*	3	hexagon nut with clamp M6	DIN 985	S 006-088
2*	6	washer A6	DIN 125	S 006-191
3*	3	hexagon nut M6	DIN 934	S 006-175
4*	3	eyebolt M6x30	DIN 944	S 006-233
5	1	cable entry 10x12x18	-	12S40-8022-2
6*	1	tension spring 60	-	4002394
7	2	crank support	-	4020630
8	1	coupling clamp	-	12SV1009
8.1	1	Assembly coupling clamp	-	ZBKM12SV100901
9	1	tension roller SR 40	-	12S408030
10	2	circlip 14x1	DIN 471	407891
11	2	socket 15x17x20	-	1173645
12	1	lever adjustment	-	12SV1011
13	1	tension spring 107	-	403012
14	1	brake lever	-	12SV1002
15	1	tension roller FGP011890	-	FGP 011890
16**	1	chassis Frame	-	12SV1001
17	1	bell tensioner fine adjustment	-	12SV1024
18	3	clamping lever adjustable	-	40-5560
19	1	bracket	-	12S4000944
20	1	tension spring 80	-	403012
21	1	hexagon bolt M6x40	DIN 933	S 006-010
22	1	console	-	12S4000884
23	1	pipe linch pin ø4,5	-	407612
24	2	washer A 10	DIN 125	S 006-217
25	2	adjusting washer 10x16x1	DIN 988	17205012
26	2	hexagon bolt M10x16	DIN 933	S 006-173

* Item 1, 2, 3, 4 + 6 deleted at KM 12

** Chassis Picture KM 12 SV



* Item 1, 2, 3, 4 + 6 deleted at KM 12
 ** Chassis Picture KM 12 SV

Assembly 1

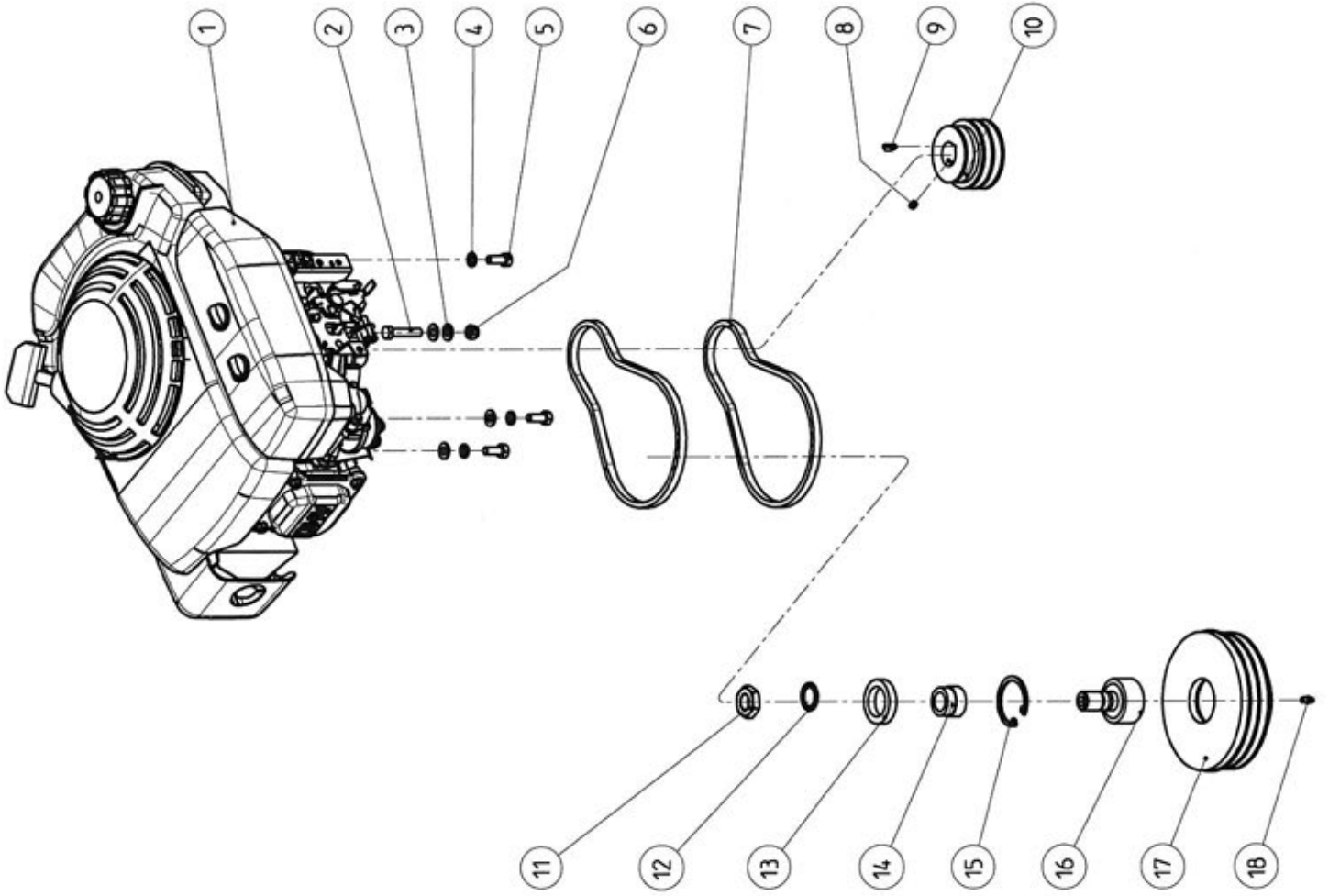
Chassis



KM 12 / SV Assembly 2.1 drive

Part-Nr.	Piece	Discription		Ordernumber
1	1	motor honda GXV 160	-	12S408027
2	1	hexagon bolt M8x45	DIN 933	S 006-194
3	4	washer A8	DIN 125	S 006-106
4	3	schnoor washer VS 8		S 006-287
5	3	inch screw 5/16x7/8		12S406051
6	1	hexagon nut with clamp M8	DIN 985	S 006-186
7	2	v-belts X10 608 LP	-	8-324
8	1	threaded pin with hexagon M6x6	DIN 914	401307
9	1	woodruff key 3x5	DIN 6888	407701
10	1	pulley 73x3	-	12SV1015
11	1	hexagon nut M20x1,5	DIN EN ISO 4035	S 006-097
12	1	schnoor washer VS 12		S 006-110
13	1	plastic washer 47x32x9	-	12SV1023
14	1	spacer sleeve	-	12SV1016
15	1	circlip 47x1,75	DIN 472	043950
16	1	cam roller bearings KR47PPX	-	M11100000029
17	1	pulley 150x3	-	1020
18	1	grease nipple M6	-	40-7901

Without illustration: 1x operating hours counters 08174-ZL8-000HE



Assembly 2.1
 drive

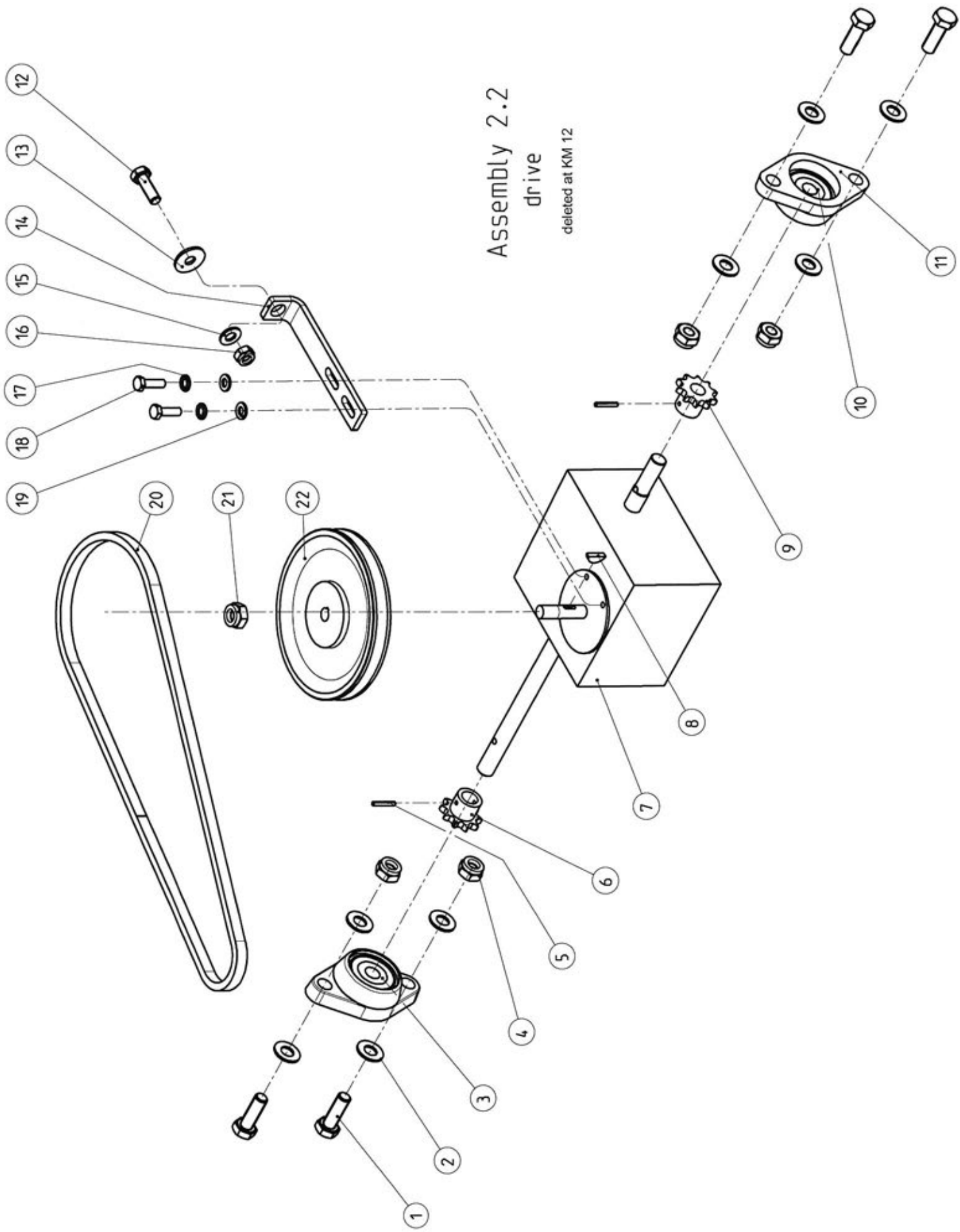


KM 12 / SV

Assembly 2.2 drive *

Part-Nr.	Piece	Discription		Ordernumber
1	4	hexagon bolt M10x30	DIN 933	S 006-121
2	8	washer A10	DIN 125	S 006-217
3	1	stock GRAE 17 NPP with reducing sleeve <small>(without illustration)</small>	-	12S408037-1145842
4	4	hexagon nut with clamp M10	DIN 985	S 006-157
5	2	slotted dowel pin 3x20	ISO 8752	0475320
6	1	chain wheel right 3/8" Z11	-	10188111
7	1	hydrostat	-	408034
8	1	woodruff key 3x5	DIN 6888	407701
9	1	chain wheel left 3/8" Z11	-	10188111
10	1	stock GRAE 12 NPP	-	12S408037-1010101
11	2	flanged bearing FYTB 503M	-	408037(X)
12	1	hexagon bolt M8x25	DIN 933	S 006-100
13	1	washer 28x9x3	DIN 440	0459009
14	1	hydrostatic holder	-	400006
15	1	washer A8	DIN 125	S 006-107
16	1	hexagon nut with clamp M8	DIN 985	S 006-186
17	2	schnoor washer VS6	-	S 006-107
18	2	hexagon bolt M6x16	DIN 933	S 006-196
19	2	washer 22x6,6x2	-	045966
20	1	v-belts 12,7x7,1x1752,6	-	12S408061
21	1	hexagon nut with clamp M10x1,25	DIN 985	10125
22	1	pulley 125x1	-	125.A1

* deleted at KM 12



Assembly 2.2

drive

deleted at KM 12



KM 12 / SV Assembly 2.3 drive

Part-Nr.	Piece	Discription		Ordernumber
1	2	circlip 20x1,2	DIN 471	S 006-845
2	2	washer 50x20,5x3	-	NU
3	***	adjusting washer 28x20x1; 28x20x0,5	DIN 988	S 006-870 0991374418
4	2	rim incl. 2 freewheel bearing CSK 20	-	408016 R.o.L.
5	1	wheel shaft	-	12S4000604
6	3	feather key 6x6x15	DIN 6888-A	407725
7	2	ball bearing 6204 2RSH	-	403028
8	1/1	steering swivel left/right**	-	12S4020314
9	1	grub screw with hexagon socket M6x10	DIN 914	S 006-691
10	1	sprocket 40Z	-	12S408009
11	1	chain 3/8" 910 long	-	12408046
12*	1	hexagon nut with clamp M8	DIN 985	S 006-186
13*	1	washer A8	DIN 125	S 006-106
14*	1	tension roller	-	408071-2
15*	3	hexagon nut with clamp M10	DIN 985	S 006-157
16*	1	chain tensioner	-	408071-1
17*	1	tension spring 12x1 85lg	-	050621085
18*	1	countersunk screw with hexagon socket M8x50	DIN 7991	S 006-339
19	1	hexagon nut with hexagon socket M16	DIN 985	S 006-188
20*	1	hexagon bolt M10x55	DIN 933	S 006-120

* Item No. 12-18 + 20 deleted at KM 12

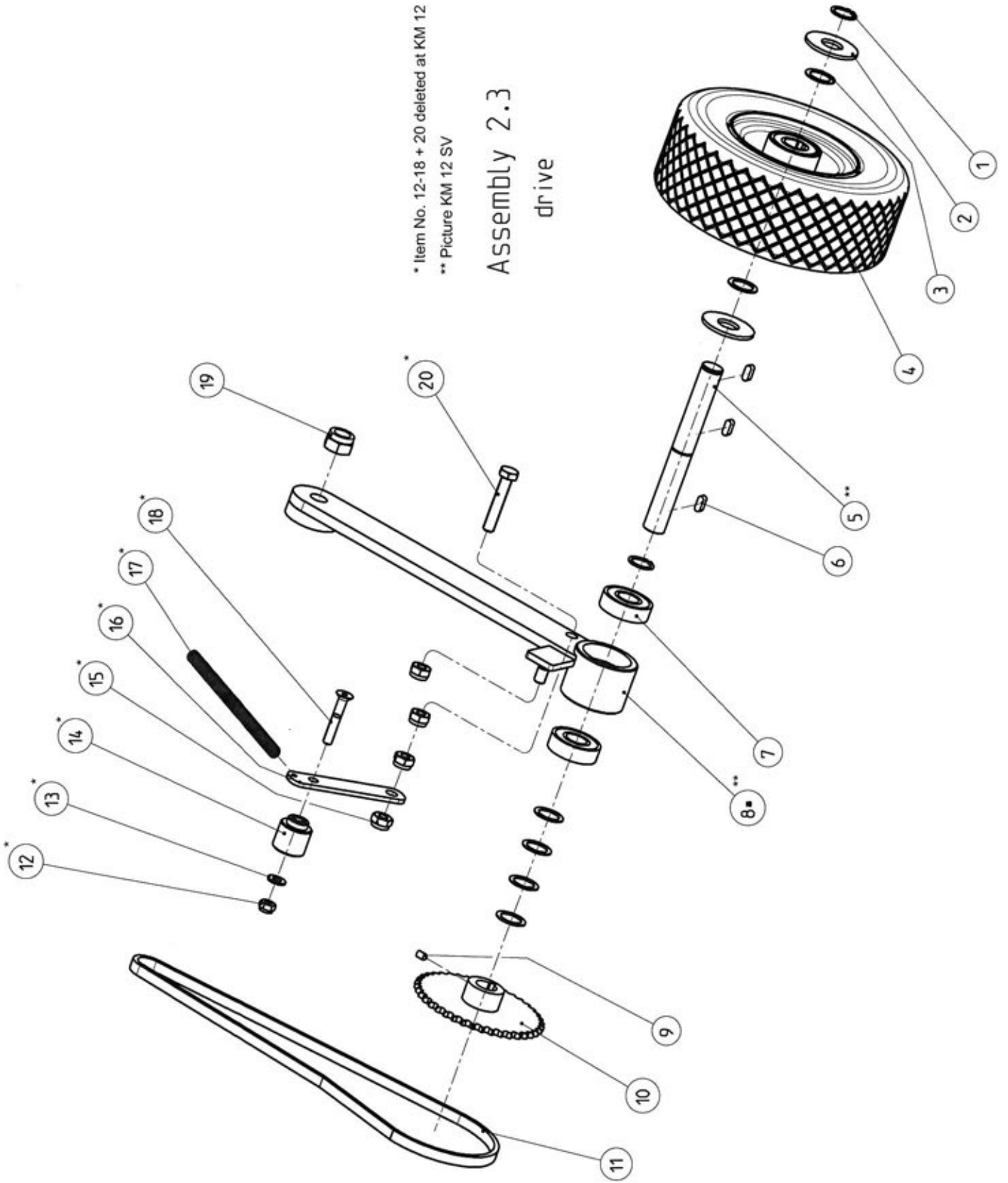
** Illustration steering swivel left, without illustration right steering swivel.

*** Number of pieces will adapted during assembly.

* Item No. 12-18 + 20 deleted at KM 12
** Picture KM 12 SV

Assembly 2.3

drive





KM 12 / SV

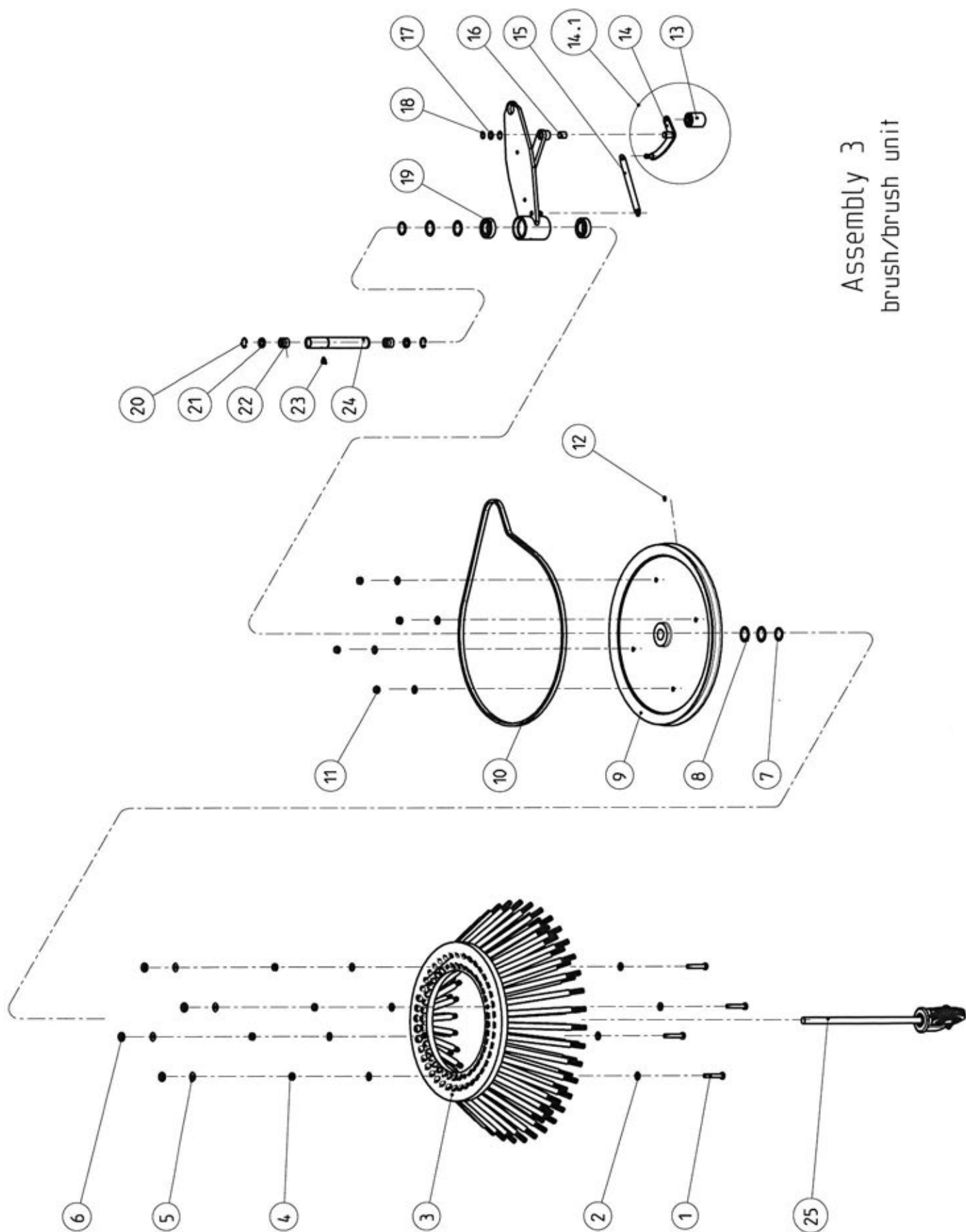
Assembly 3 Brush / Brush unit

Part-Nr.	Piece	Discription	DIN 933	Ordernumber
1	4	hexagon bolt M10x55	DIN 933	S 006-120
2	12	washer A10	DIN 125	S 006-217
3	1	steel weed broom **	-	KM 12-5
4	4	hexagon nut M10	DIN 934	S 006-089
5	4	ball washer 13-C	DIN 6319	DIN 6319
6	4	cone seat 12-D	DIN 6319	6319-D
7	2	circlip 30x1,5	DIN 471	407873
8	*	adjusting washer 30x42x0,5; 30x42x1	DIN 988	M11900200031 M11900200034
9	1	woodruff key 500	-	4002310
10	1	v-belts 12,7x7,1x1752,6	-	8-469
11	4	hexagon nut with clamp M10	DIN 985	S 006-157
12	1	grub screw with hexagon socket M6x12	DIN 914	S 006-691
13	1	tension roller SR 40	-	12S408030
14	1	bell tension	-	12SV100801
14.1	1	Assembly bell tension	-	ZBKM12SV100802
15	1	tension spring 107	-	403012
16	1	socket 15x17x20	-	1173645
17	*	adjusting washer 22x15x0,5; 22x15x1	DIN 988	0425152305 0425152110
18	1	circlip 15x1	DIN 471	A15
19	2	bearing 6006 2RS	-	4030122
20	2	circlip 26x1,2	DIN 472	407876
21	2	sealing ring NAK VG 18 26 4	-	403175
22	2	needle roller bearing INA NK 18/20	-	403170
23	1	grease nipple M6 45°	-	2005102
24	1	main shaft	-	4000934
25	1	support wheel	-	4000784/405105

* adapted at assembly

** mounting options

- Weed broom KM 12-7
- Twist-knot broom KM 12-6
- Nylon broom KM 12-2



Assembly 3
brush/brush unit

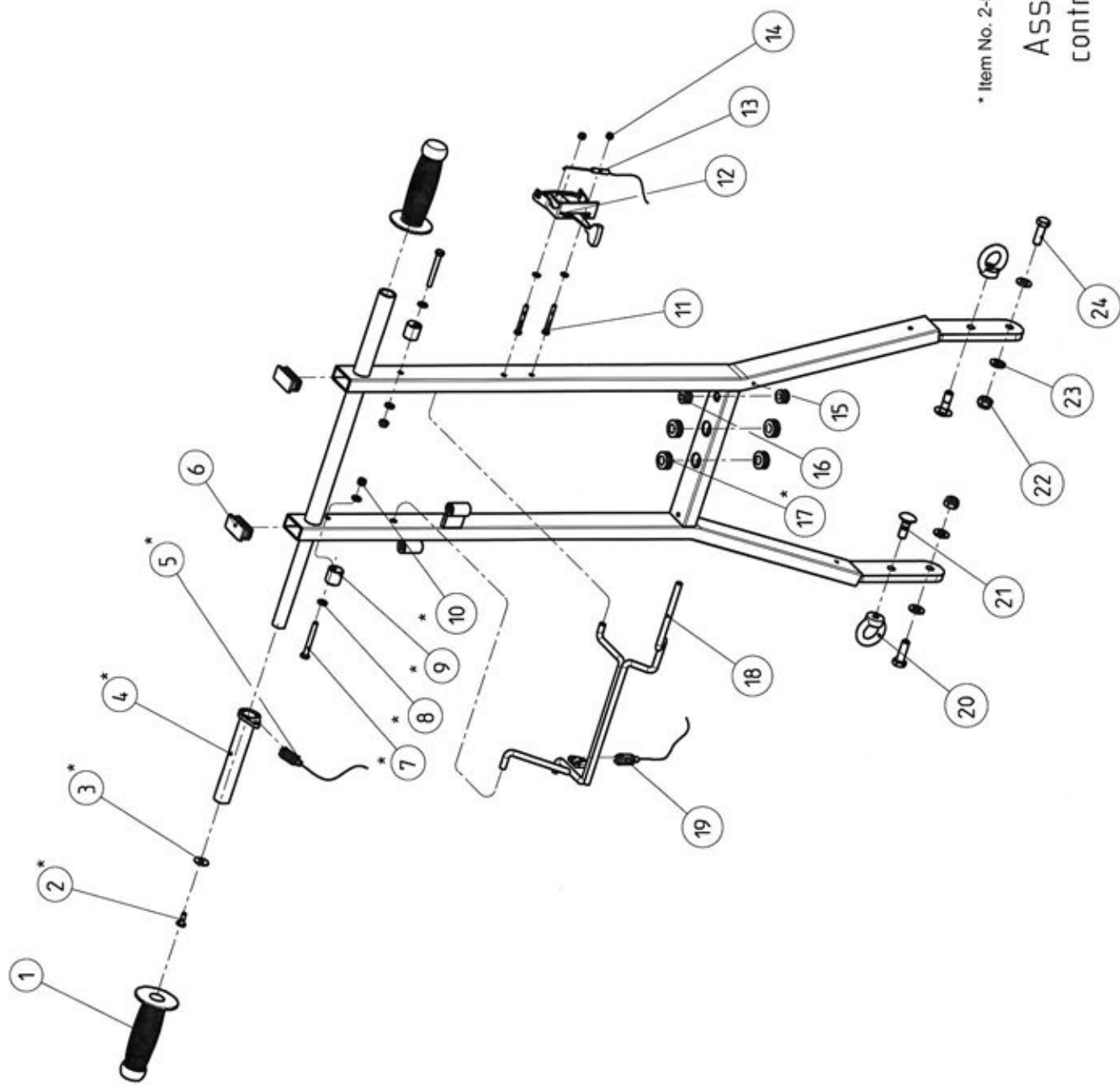


KM 12 / SV

Assembly 4 Control handle

Part-Nr.	Piece	Discription		Ordernumber
1	2	handle	-	40-5374
2*	1	oval head screw with Hexagon socket M6x16	DIN 7380	S 006-336
3*	1	washer 6,6x22x2	-	40-4165
4*	1	rotary handle	-	40-5375
5*	1	bowden cable hydrostatic 1180 long	-	40-4166
6	2	plastic cap	-	40-4164
7*	2	hexagon bolt M6x50	DIN 933	S 006-264
8*	6	washer A6	DIN 125	S 006-191
9*	2	eccentric	-	12S40-8018
10*	2	hexagon nut with clamp M6	DIN 985	S 006-088
11	2	hexagon bolt M6x45	DIN 933	S 006-848
12	1	throttle control	-	40-4162
13	1	throttle cable	-	40-4163
14	2	hexagon nut with clamp M5	DIN 985	S 006-221
15	1	control handle	-	12S4020254
16	2	cable entry 10x12x18	-	12S40-8022-2
17*	4	cable entry 12x20x24	-	12S40-8022-1
18	1	coupling bracket	-	12S4020554
19	1	bowden cable brush 1480 long	-	131 460
20	2	ring nut M10	DIN 582	S 006-421
21	2	flat head screw with square M10x30	DIN 603	S 006-859
22	2	hexagon nut with clamp M10	DIN 985	S 006-157
23	4	washer A10	DIN 125	S 006-217
24	2	hexagon bolt M10x30	DIN 933	S 006-121

* Item No. 2-5 + 7-10 + 17 deleted at KM 12



* Item No. 2-5 + 7-10 + 17 deleted at KM 12

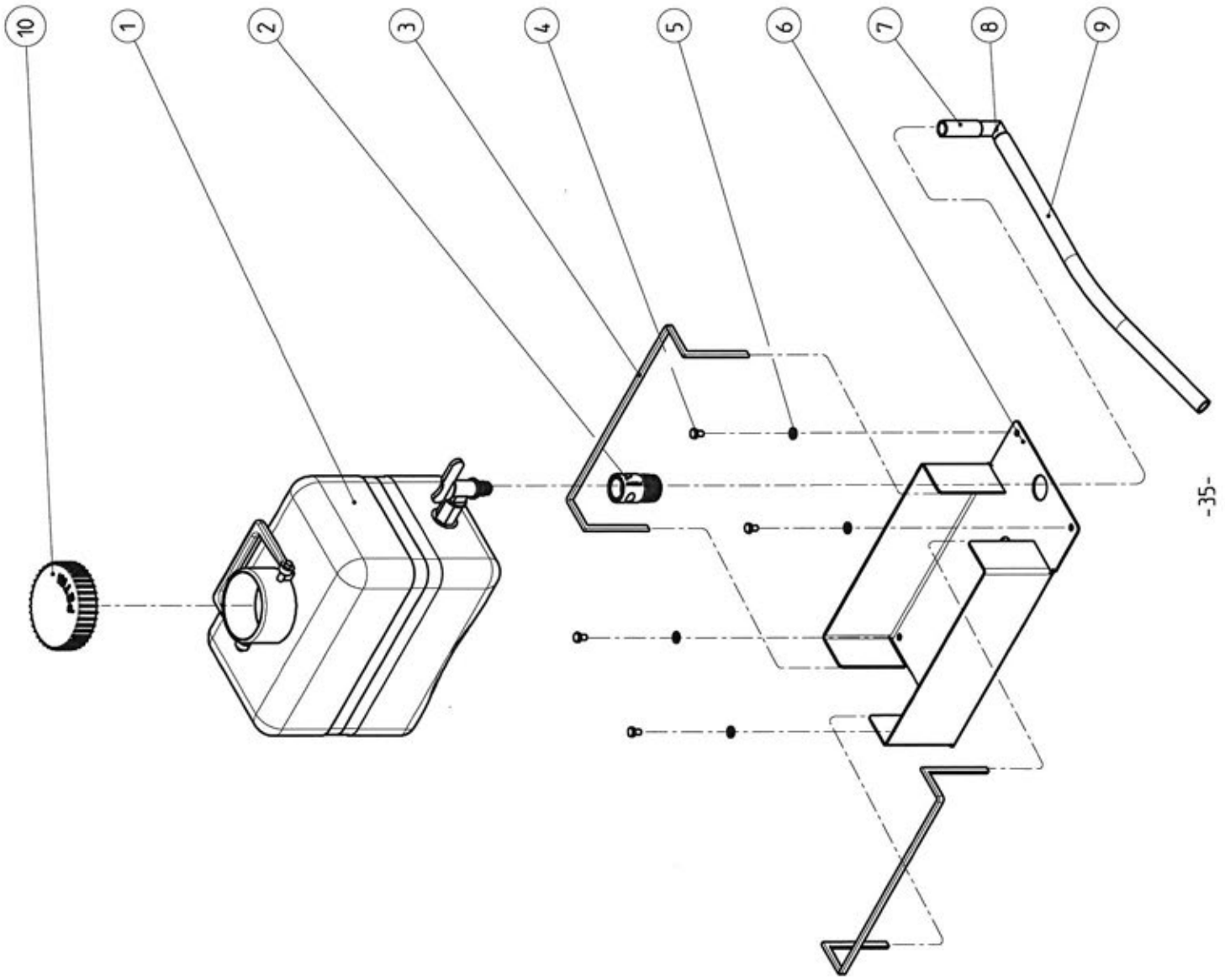
Assembly 4 control handle



KM 12 / SV

Assembly 5 Water tank

Part-Nr.	Piece	Discription		Ordernumber
1	1	Water tank		40 - 20704
2	1	hose connection	Gardena 3/4"	40 - 5283
3	2	edge protection		400005
4	4	hexagon bolt M6x10	DIN 933	S 006 - 008
5	4	washer A 6,4	DIN 125	S 006 - 191
6	1	tank support		40 - 5281 - 3
7	1	hose 19x14	Transp. 50lg	12S408024 - 2
8	1	hose compound 90° 5/8"		40 - 5282
9	1	hose 19x14	Transp. 500lg	12S408024 - 1
10	1	tank cap		60265



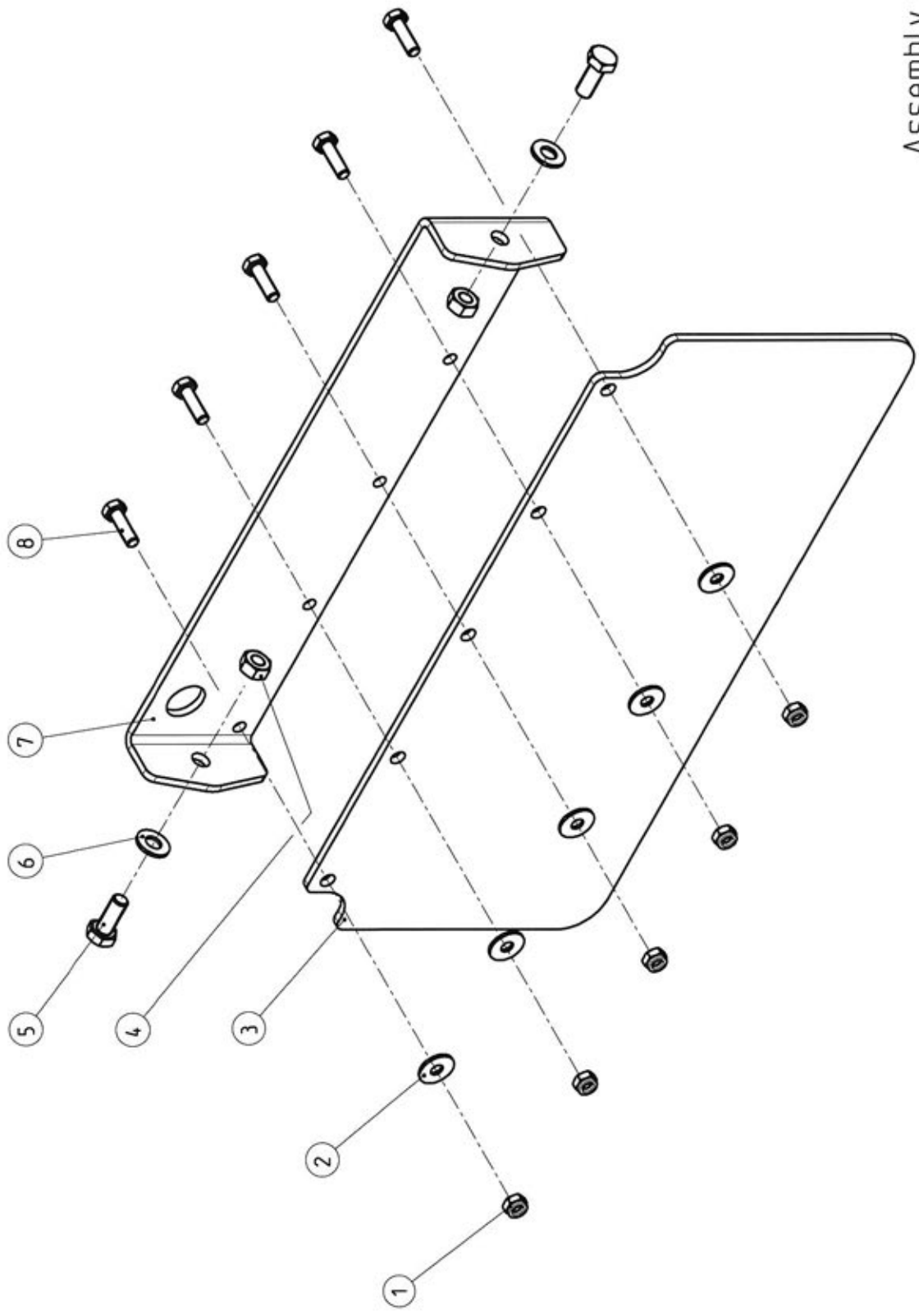
Assembly 5
water tank



KM 12 / SV

Assembly 6 Middle protection

Part-Nr.	Piece	Discription		Ordernumber
1	5	hexagon nut with clamp M6	DIN 985	S 006-088
2	5	KS- washer 6,4x18x1,5	DIN 9021	S 006-014
3	1	rubber protection	-	12ZW4000634-01
4	2	weld nut M8	DIN 929	03998
5	2	hexagon bolt M8x20	DIN 933	S 006-103
6	2	washer A8	DIN 125	S 006-106
7	1	holding sheet	-	12S1041
8	5	hexagon bolt M6x20	DIN 933	S 006-189



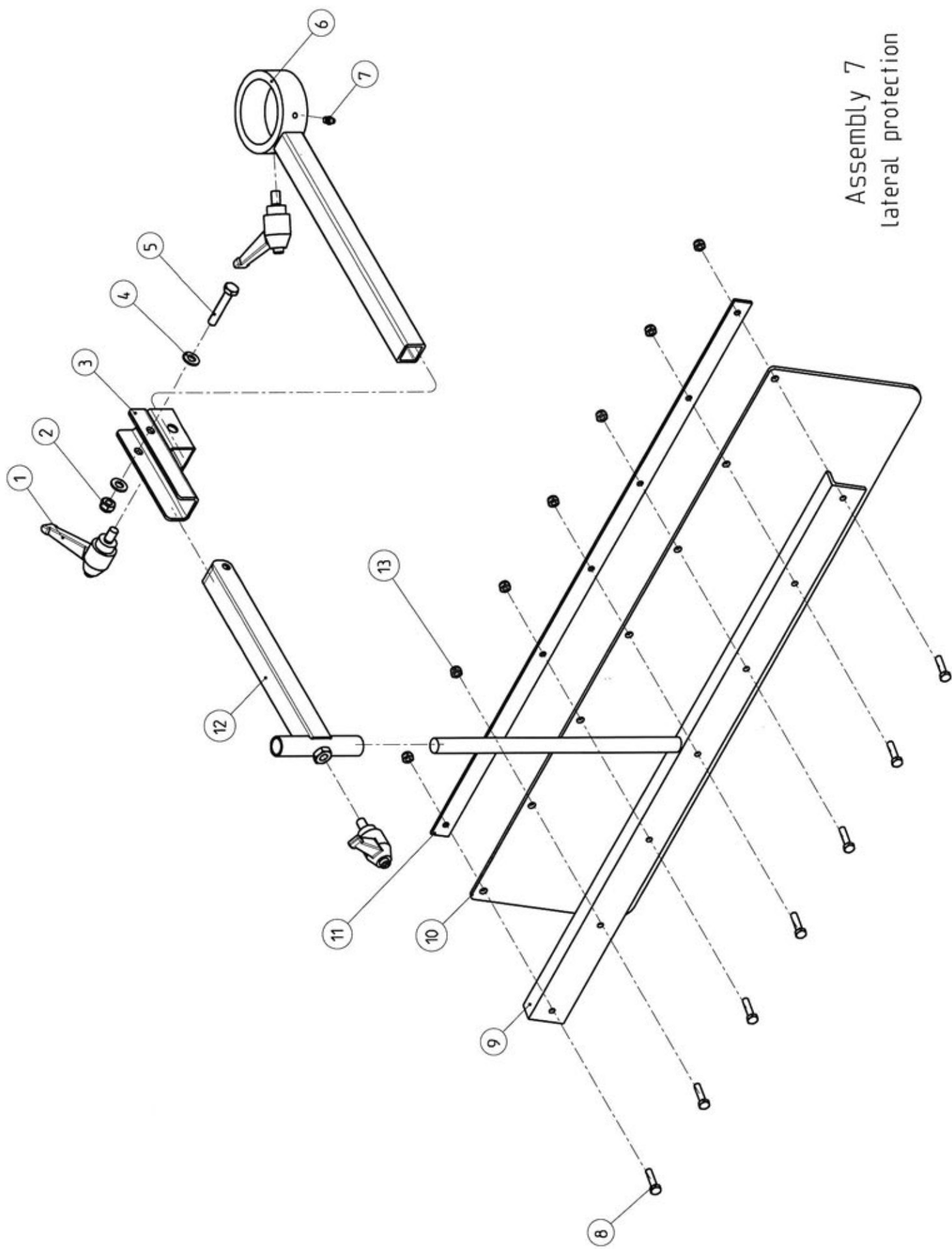
Assembly 6
middle protection



KM 12 / SV

Assembly 7 Lateral protection

Part-Nr.	Piece	Discription		Ordernumber
1	3	adjustable clamping lever GN 300	-	40-5560
2	1	hexagon nut with clamp M8	DIN 985	S 006-186
3	1	guide	-	40-01264
4	2	washer A8	DIN 125	S 006-106
5	1	hexagon bolt M8x45	DIN 933	S 006-179
6	1	swivel arm	-	12S4002420
7	1	grease nipple M6	-	40-7901
8	7	hexagon bolt M6x20	DIN 933	S 006-189
9	1	rubber protection absorption	-	40-01204
10	1	rubber protection	-	40-01184
11	1	fitting	-	40-01194
12	1	t-tube	-	40-01234
13	7	hexagon nut with clamp M6	DIN 985	S 006-088



Assembly 7
lateral protection